

Kaela



Satin Brass Finish



Ebony Finish

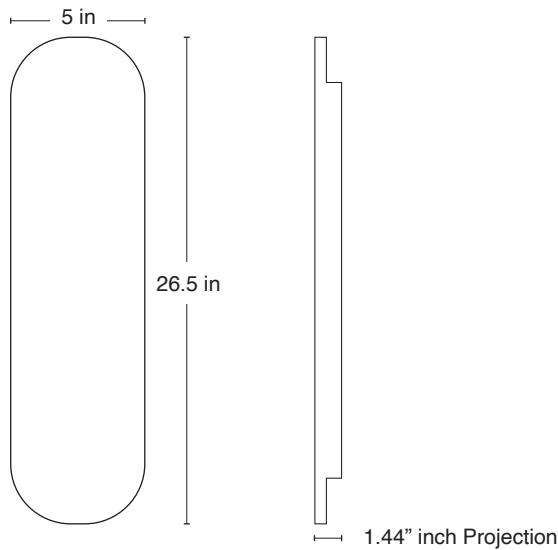
DESCRIPTION	Backlit Unit Number Sconce with door number and Braille. Low profile, modern design with architectural finishes.
SIZE	<ul style="list-style-type: none"> • 26.5" H x 5" W x 1.44" Projection
SPECIFICATIONS	<ul style="list-style-type: none"> • Top vertical door number and bottom horizontal door number and braille are fully customizable. Contact info@alvalight.com for more information. • 90+ CRI • Title24 JA8 • UL Damp Listed • BAA • ADA Compliant • 10 Year Warranty
LAMPING	<ul style="list-style-type: none"> • State of the art LED module, field serviceable/replaceable • LumenSelect® three light level selectable (Low, Medium, High) • Input Voltage: 120Vac standard. 277Vac optional (MOQ may apply) • Wattage: 10W • CCT: 2700, 3000, 3500, 4000 • ELV/Triac Dimmable (100-10%)
ARCHITECTURAL FINISHES	<ul style="list-style-type: none"> • Satin Brass • Ebony • Walnut • Brushed Aluminum • Graphite Metallic • Black



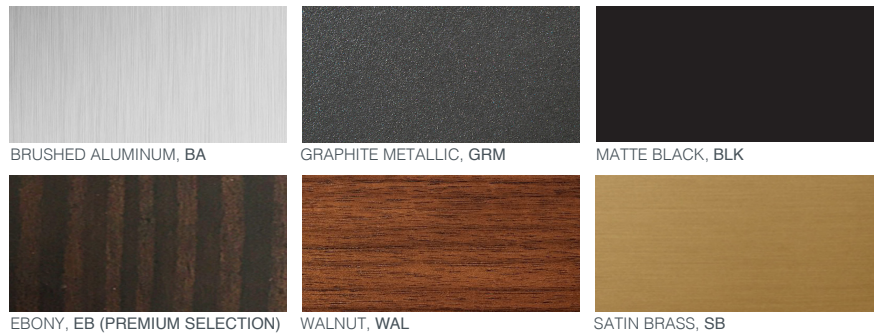
Kaela



Satin Brass Finish



Finish Options:



CUSTOM RAL ALSO AVAILABLE

Top vertical door number and bottom horizontal door number and braille are fully customizable. Please contact info@alvalight.com for more information.

ORDER CODE:

FAMILY	LED MODULE	CCT	CRI	INPUT VOLTAGE	MODEL	FINISH	BOTTOM DOOR NUMBER (OPTIONAL MUST SPECIFY)	JA8 (OPTIONAL)
AU	L10W22		9		Kaela			
		2700 2700K		120 120V		BA Brushed Aluminum	BHNB Bottom Horizontal Number and Braille	JA8
		3000 3000K		277 (MOQ may apply) 277V		BLK Black		
		3500 3500K				GRM Graphite Metallic		
		4000 3500K				EB Ebony (premium finish)		
						WAL Walnut		
						SB Satin Brass		
						CP Custom RAL Finish		