



24"H x 5"W, 1 3/8" Projection, Brushed Aluminum Finish



DESCRIPTION Backlit Unit Number Sconce with door number and Braille. Low profile, modern design with architectural finishes.

SIZE • 24" H x 5" W x 1 3/8" D

SPECIFICATIONS

- Top vertical door number and bottom horizontal door number and braille are fully customizable. Contact info@alvalight.com for more information.
- 90+ CRI
- Title24 JA8
- UL Damp Listed
- BAA
- ADA Compliant
- 10 Year Warranty

LAMPING

- State of the art LED module, field serviceable/replaceable
- Input Voltage: 120Vac standard. 277Vac optional (MOQ may apply)
- Wattage: 10W
- CCT: 2700, 3000, 3500, 4000
- ELV/Triac Dimmable (100-10%)

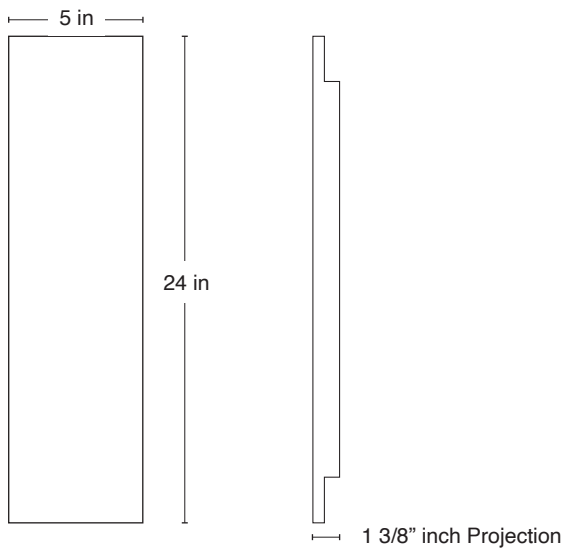
ARCHITECTURAL FINISHES

- Brushed Aluminum
- Graphite Metallic
- Black





24"H x 5"W, 1 3/8" Projection, Brushed Aluminum Finish



Finish Options:



BRUSHED ALUMINUM, BA

GRAPHITE METALLIC, GRM

MATTE BLACK, BLK

CUSTOM RAL ALSO AVAILABLE

Top vertical door number and bottom horizontal door number and braille are fully customizable.

Please contact info@alvalight.com for more information.

ORDER CODE:

FAMILY	LED MODULE	CCT	CRI	INPUT VOLTAGE	MODEL	FINISH	BOTTOM DOOR NUMBER (OPTIONAL MUST SPECIFY)	JA8 (OPTIONAL)
AU	L10W22		9		CURT			
		2700 2700K		120 120V		BA Brushed Aluminum	BHNB Bottom Horizontal Number and Braille	JA8
		3000 3000K		277 277V		BLK Black		
		3500 3500K				GRM Graphite Metallic		
		4000 3500K				CP Custom RAL Finish		