

alva

ALVA Installation Instructions
BRIAN

Tools Required:

Phillips Screwdriver
4mm Hex Key
Drill
Level

Hardware Included:

Quantity of 4: M6 flat head machine screws (to secure the shade to the module)
Quantity of 1: Universal mounting plate.
Quantity of 4: 8-32 screws (to secure mounting plate to module)

Overview:

The ALVA exterior luminaires consist of two primary components:

1. ALVA IP66 EXTERIOR LED LIGHT MODULE
2. ALVA Brian panel (15.5" L, 31" L or 46" L)
3. Brian decorative box which attaches to the back panel.

The installation consists of mounting the ALVA LED module to the junction box using the universal mounting plate (included with the module). After you have installed the module to the junction box and made the necessary electrical connections, you mount the ALVA Brian back panel to the module. We recommend you screw in the bottom screws loosely at this point and tighten after mounting the decorative box portion of the Brian.

The ALVA Brian exterior luminaire is available in up to three lengths (15.5"H, 31"H, or 46.5"H).

Note: Wall mounting hardware is not included due to the wide variety of wall materials. Customer should determine the appropriate anchoring hardware for their specific needs. ALVA recommends the use of #10 mounting hardware.

CAUTION:

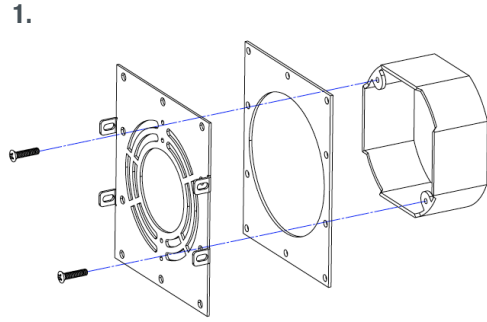
Be sure the power is turned off by either removing the fuse or closing the circuit breaker. Installation must be in compliance with National, State and Local electrical codes.



Carefully follow these steps:

Step One

- A) Remove universal mounting bracket from the back of the module.
- B) Mounting bracket to junction box.
- C) Wire LED module to power and 0-10V control wires (where applicable). Mount module to mounting bracket.

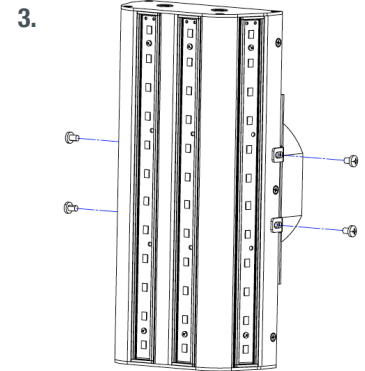


Step Two

In conformance with UL Standard 1598, a silicone based sealant **MUST** be used around entire perimeter of module where it meets the adjacent, supporting wall surface. This shall be applied prior to Step Three.

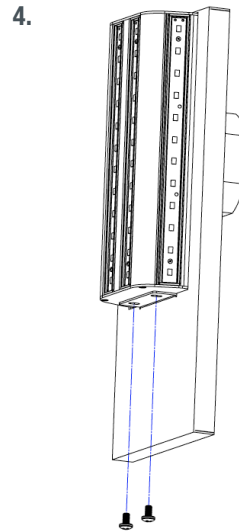
Step Three

Mount panel to module. We recommend you set the bottom screws loosely at this time and tighten after mounting decorative box.



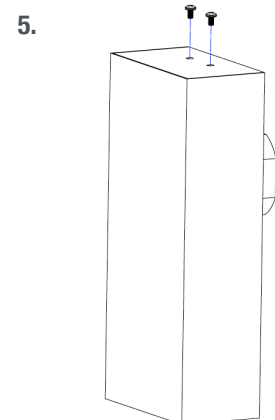
Step Four

Carefully slide decorative box onto the panel from top down. Fasten top M6 screws through decorative Brian box to LED module/panel.



Step Five

Tighten the bottom M6 screws to the module.



Dimming Options: Your ALVA exterior luminaire luminaire includes a 0-10V dimming as standard.

0-10V Dimming

To utilize the 0-10V dimming you must provide control wires to the junction box. At the time of installation, attach Blue (DIM+) wire from back of fixture to DIM+ control wire from junction box. Attach White (DIM-) wire from back of fixture to DIM- wire from junction box.

Compatible and Tested Dimmers:

- Lutron® Model DTV
- Leviton® Model Decora®
- Illumatech™ IP710-DLZ

ALVA Exterior Module:

