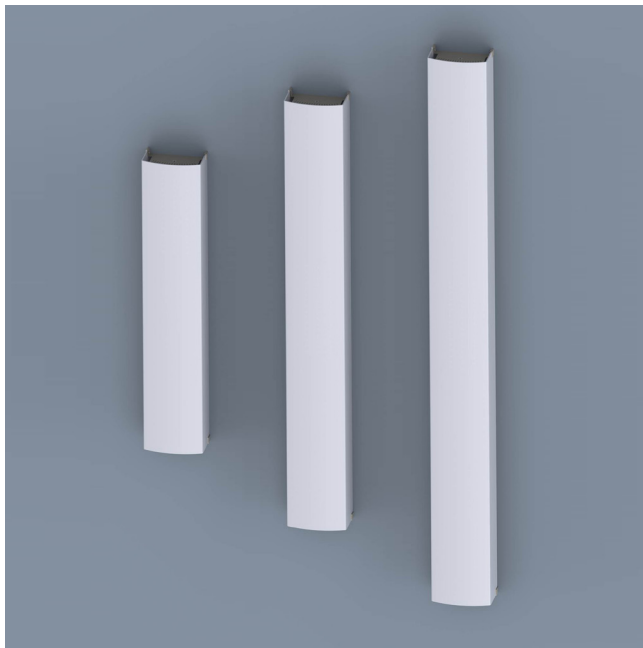


alva™



INSTALLATION INSTRUCTIONS & TECHNICAL INFORMATION

For ILIA™ Luminaires

LED-BASED ARCHITECTURAL LIGHTING
2150 ALLSTON WAY, SUITE 400, BERKELEY, CA 94704
P: 408.394.3054 WWW.ALVALIGHT.COM

Tools Required:

- Phillips screwdriver
- 2mm and 4mm hex keys
- Drill (for ceiling mounting)
- Small flathead screwdriver (for adjusting LumenSelect™)

Hardware Included:

- Quantity of 1-3: Mounting Plates
- Quantity of 4: 3mm Hex Screws (use 2mm hex key)
- Quantity of 2-6: 4mm x 12mm Phillips Screws
- Quantity of 2: 6mm x 12mm Hex Screws (use 4mm hex key)
- Note: Wall/Ceiling mounting hardware is not included due to the wide variety of wall materials.

Sizes & Mounting Information

The ILIA luminaire series is available in three lengths, 30", 45", and 60". Note that the 45" and 60" lengths require the use of additional mounting plates (provided) to secure the luminaire to the wall or ceiling.

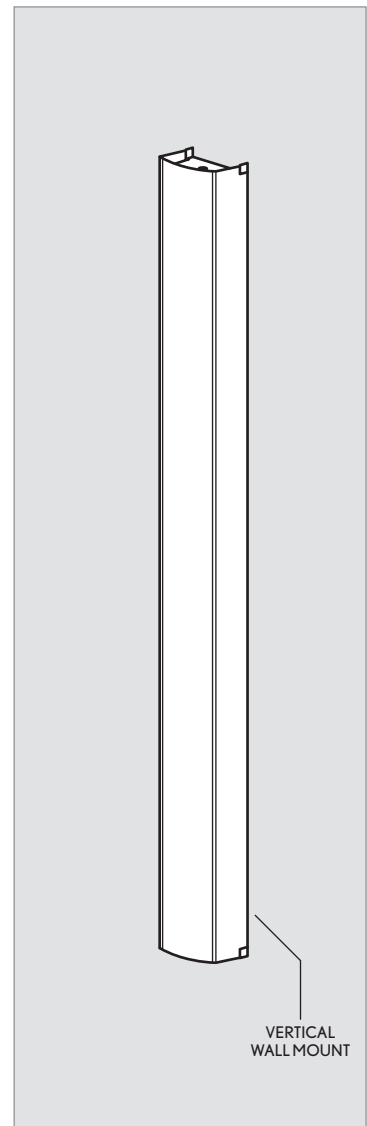
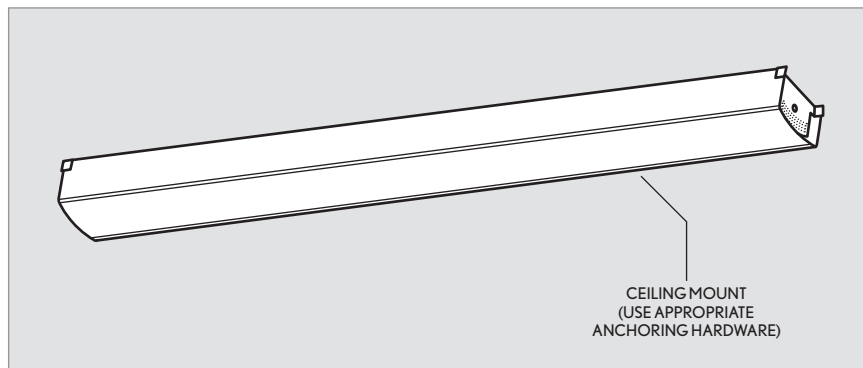
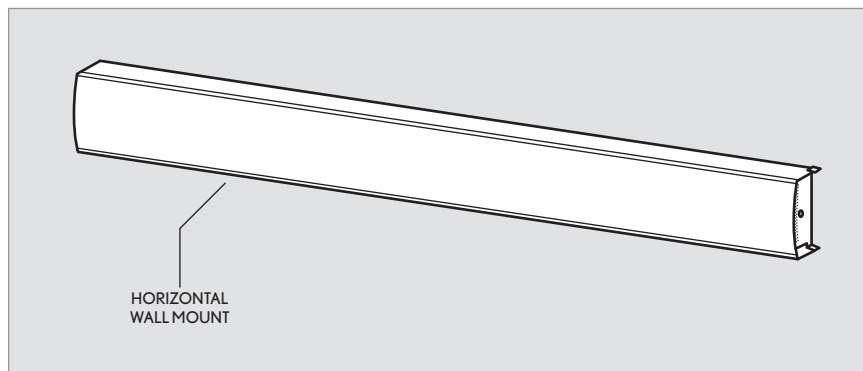
The luminaire may be mounted on the wall either vertically or horizontally. The luminaire may be mounted on the ceiling as well.

Customer should determine the appropriate anchoring hardware for their specific needs. ALVA recommends the use of #10 mounting hardware.

CAUTION:

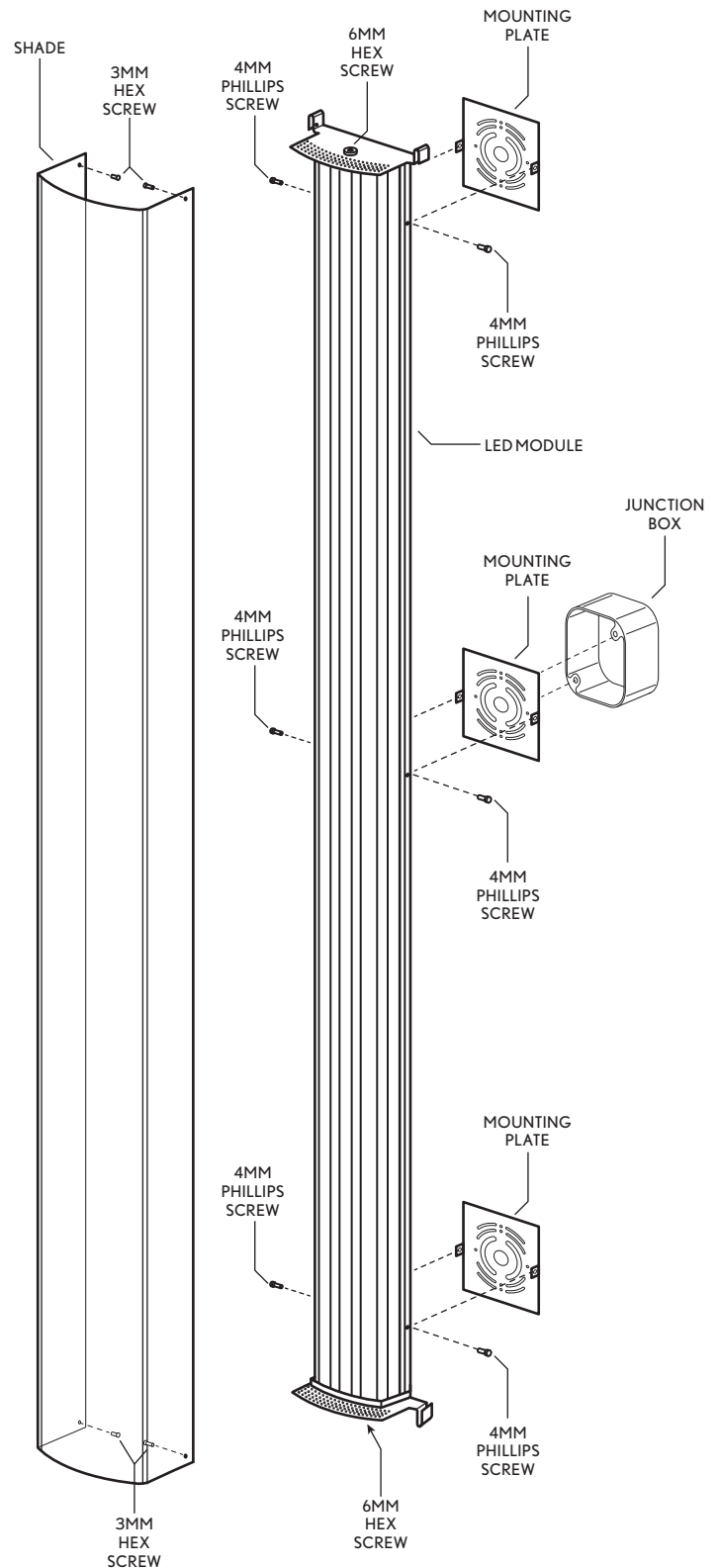
Be sure the power is turned off by either removing the fuse or closing the circuit breaker. Installation must be in compliance with National, State and Local electrical codes.

Damp Listed:



Installing your ALVA luminaire takes four easy steps:

1. Attach the mounting plate to the junction box with care to align the plate so that the luminaire is orientated properly. For the 45" or 60" model mount the additional mounting plates to the wall or ceiling with care to align the pre-drilled holes in the LED module with the mounting plate. Be sure to install anchoring hardware according to the manufacturer's recommendations.
2. Connect the electrical wires from the junction box to the electrical wires of the light fixture. Please see below if using 0-10V dimming functionality.
3. Place the LED module so that the pre-drilled holes in the side of the light fixture line up with mounting plate(s). Secure the LED module to the mounting plates using the 4mm Phillips screws provided.
4. Mount shade to the light module using hardware included with the shade selected for your project. For resin or acrylic shades, you secure the shade to the LED module using a 4mm hex key at both ends of the fixture.



Dimming Options:

Your ILIA luminaire includes two dimming options as standard:

1. LumenSelect 4 level light output (100%, 75%, 50%, and 25%).
2. 0-10V Dimming

You may choose either dimming option.

LumenSelect

Your ILIA luminaire comes factory set at 100% light output. You may choose at the time of install from four settings:

- 100% light output
- 75% light output
- 50% light output
- 25% Light output

Note that the power consumption of the fixture decreases approximately in conjunction with the light output (ie. 50% light output consumes half the power)

To select, using a small standard screwdriver, gently turn the LumenSelect dial at the end of the fixture clockwise to your desired setting. You can either set your light output prior installing your fixture OR you may set it after you have installed the fixture.

0-10V Dimming

Note: To use the 0-10V dimming, be sure you have set your LumenSelect setting to 100% light output if you have changed it from its factory pre-setting of 100%.

Your ILIA luminaire also provides control wires accessible from the back of the fixture that provide 0-10V dimming. To utilize the 0-10V dimming you must provide control wires to the junction box. At the time of installation, attach Purple (DIM+) wire from back of fixture to DIM+ control wire from junction box. Attach Gray (DIM-) wire from back of fixture to DIM- control wire from junction box.

Compatible and Tested Dimmers:

- Lutron® Model DDTV
- Leviton® Model Decora® Illumatech™ IP710-DLZ

