

GUS

ARCHITECTURAL WALL PACK PRODUCT FAMILY

alva®

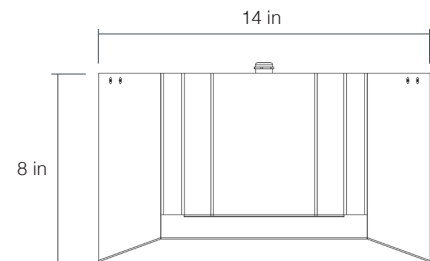
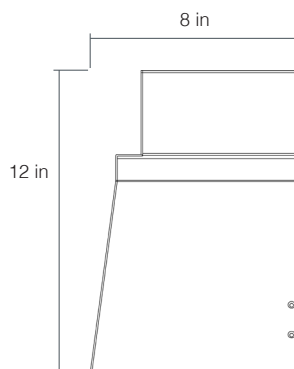
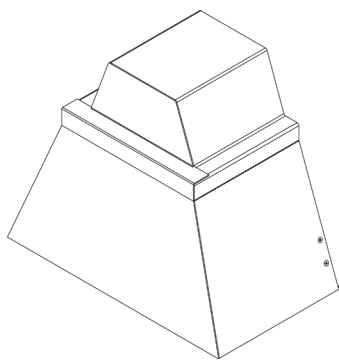


Overview

Gus joins our wall pack family combining exceptional modernist design with superior use of LED technology. It is architecturally correct, complementing the architectural details of your building. No longer are you forced to use unattractive wall packs around the exterior of your space. Gus utilizes state-of-the-art LED optics to provide even, soft illumination without the forward throw glare normally associated with path of egress lighting.



Gus in Black (BLK)



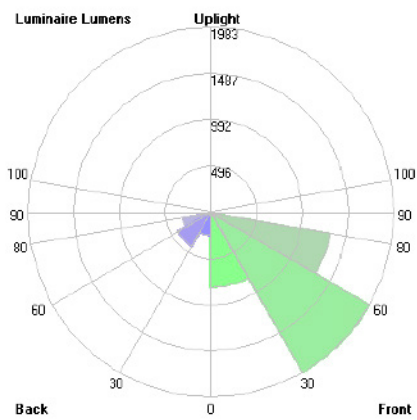
WATTAGE	41
DELIVERED LUMENS	5107
OPTIC OPTIONS	Type 2, Type 3, Type 4
INPUT VOLTAGE	120-277
INGRESS	IP66
CCT OPTIONS	2700, 3000, 3500, 4000
OCCUPANCY SENSOR, STANDARD	Factory set at Bi-level 100/30% motion and low light level for 8' to 15' mounting. May be programmed in the field per your requirement.
WEIGHT	14.75 pounds
CONSTRUCTION	ALVA Proprietary WP-1 LED Module: Die cast aluminum Decorative Housing: Aluminum with state of the art architectural powder coat finish
WARRANTY	10 years

Sensor Operation Overview

Dimming Function

This function inside the motion sensor to achieve tri-level control. for some areas which require a light change notice before switch-off. The sensor offers 3 levels of light: 100%-->dimmed light (natural light is insufficient) J-->off; and 2 periods of selectable waiting time: motion hold-time and stand-by period; Selectable daylight threshold and freedom of detection area.

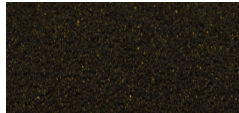
Sensor Remote Programmer Unit, RC-100, (available for purchase from ALVA for field programming)



FINISH OPTIONS



Black **BLK**

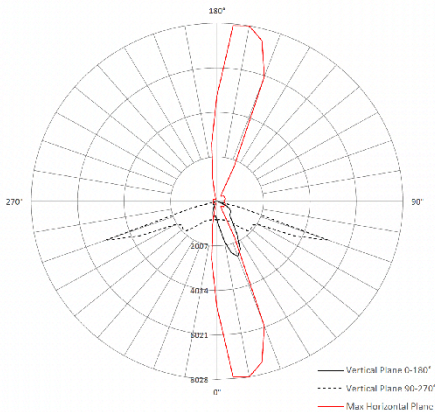


Dark Bronze **DB**



Enviro Satin Nickel **ESN**

Custom Ral Available (**CP**)



ORDER CODE:

MODEL	CCT	OPTICS	FINISH
GUS	27 2700 30 3000 35 3500 40 4000	T2 Type 2 T3 Type 3 T4 Type 4	BLK Black DB Dark Bronze ESN Enviro Satin Nickel CP Custom Ral