

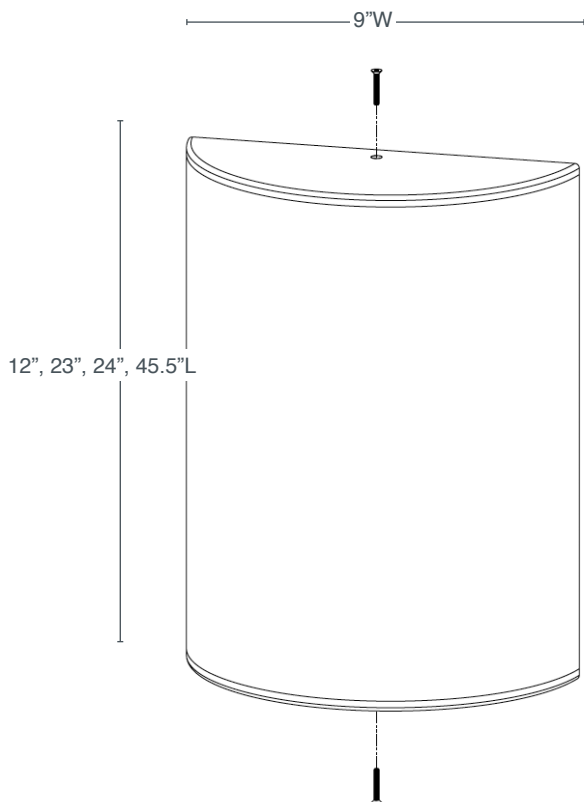
EVA Standard

Fully Sealed Healthcare Grade Lamp Shade, High Performance Led Wall Sconce

alva®



Eva-12 with Island Breeze shade, ESN trim



APPLICATIONS

- Healthcare, Senior Living, Retail, Corporate, High-Rises, Hospitality

MOUNTING

- Flexible mounting system allows for 1/2" incremental adjustment off of center
- Can be mounted vertically or horizontally or to ceiling

DIMMING

- ELV/TRIAC

SPECIFICATIONS

- Fully sealed lamp shade
- High Efficiency, fully integrated proprietary LED Module
- L90 - 100,000+ hours. 10 years / 24/7
- 120-277 Vac Input
- 90 CRI (minimum)

CERTIFICATIONS

- UL Damp Listed
- ADA Compliant
- IK10 UL Certified (protected against 20 joules of impact)
- Fully Sealed Shade
- Title 24 JA8 Certified
- BAA

CONSTRUCTION

- Shade: Durable ARCHITECTURAL RESIN by ALVA
- Trim: Architectural grade metal finish. Optional Antimicrobial Finish (must specify)

EVA Standard

Fully Sealed Healthcare Grade Lamp Shade, High Performance Led Wall Sconce

alva®



Eva-46 with Island Breeze shade, ESN trim



Eva-34 with Island Breeze shade, EOB trim

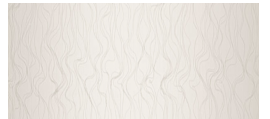
Resin Shade Options Vandal resistant, architectural resin by ALVA®



IB - Island Breeze



GS - Gold Shimmer



B - Burano



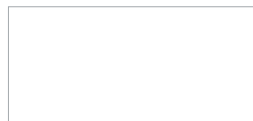
R - Rain



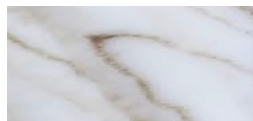
LC - Linear Cross



A - Autumn



W - White Resin



FA - Faux Alabaster

Metal Trim Options Powder Coat Finish Options



ESN - Enviro Satin Nickel



EOB - Enviro Oil-Rubbed
Bronze



WHT - White

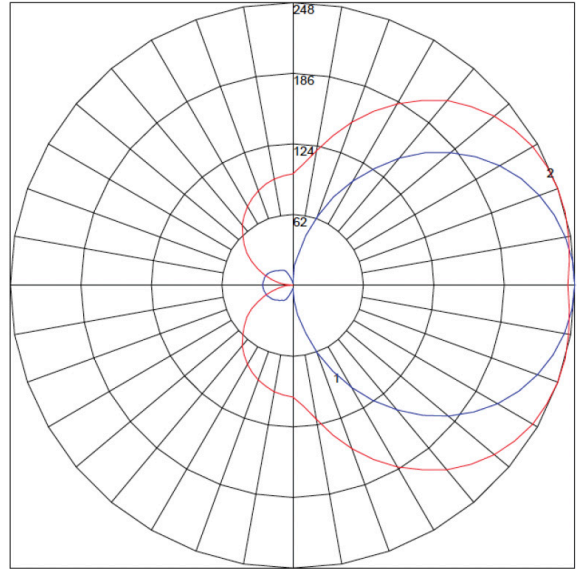
EVA Standard

Fully Sealed Healthcare Grade Lamp Shade, High Performance Led Wall Sconce



Eva is ideal for healthcare applications:

- 12”L for patient room or corridor wall sconces
- 45.5”L above patient beds



Maximum Candela = 248.08 Located At Horizontal Angle = 20, Vertical Angle = 90
 # 1 - Vertical Plane Through Horizontal Angles (20 - 200) (Through Max. Cd.)
 # 2 - Horizontal Cone Through Vertical Angle (90) (Through Max. Cd.)

Photometric Report

Model	SR-23-R
CCT Tested	2700
CRI	90 min
System Wattage	30
CRI (minimum)	90
Lumens Delivered (through resin shade)	1226

MODEL	WATTS	DELIVERED LUMENS	LENGTH	WIDTH	DEPTH	WEIGHT	DIMMING	WARRANTY
Eva-12	15W	620 LM	12"	9"	3"	4 lbs	ELV/TRIAC	10 year
Eva-23	30W	1226 LM	23"	9"	3"	8 lbs	ELV/TRIAC	10 year
Eva-34	45W	1842 LM	34"	9"	3"	12 lbs	ELV/TRIAC	10 year
Eva-46	60W	2452 LM	45.5"	9"	3"	18 lbs	ELV/TRIAC	10 year

ORDER CODE:

BRAND	LED MODULE	CCT	CRI	SHADE SHAPE	RESIN PATTERN	FINISH	ANTIMICROBIAL FINISH
AU							
L15W (SC4W12H)	27 2700K	9 90 CRI	SC4W12H 12"	IB Island Breeze	ESN Enviro Satin Nickel	AM Antimicrobial Finish	
L30W (SC4W23H)	30 3000K		SC4W23H 23"	A Autumn	EOB Enviro Oil-Rubbed Bronze		
L45W (SC4W34H)	35 3500K		SC4W34H 34"	LC Linear Cross	WHT Matte White		
L60W (SC4W46H)	40 4000K		SC4W46H 46"	GS Gold Shimmer			
				B Burano			
				W White			
				FA Faux Alabaster			
				R Rain			