

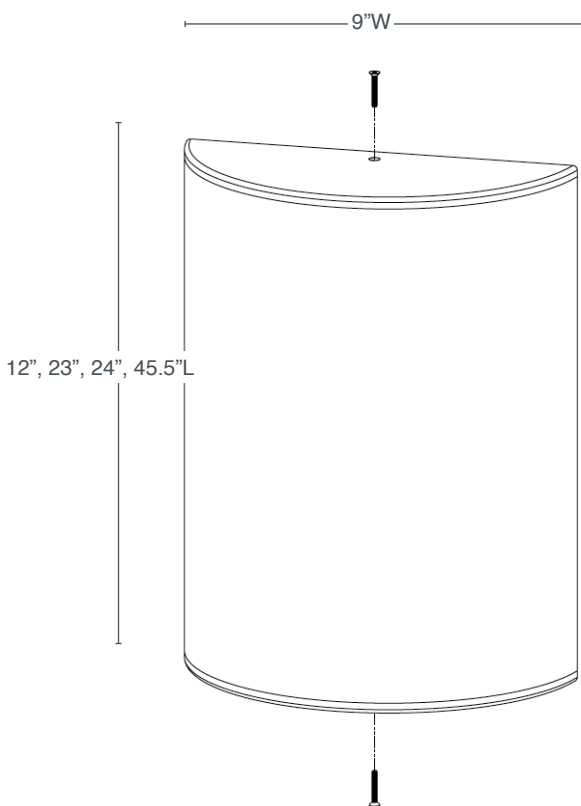
# EVA DELUXE

FULLY SEALED HEALTHCARE GRADE LAMP SHADE, HIGH PERFORMANCE LED WALL SCONCE

alva®



Eva-12 with Island Breeze shade, ESN trim



#### APPLICATIONS

- Healthcare, Senior Living & Multi Family Residential: Patient rooms, corridors, elevator lobbies, hotel or corporate lobbies

#### SIZES

- 12"L x 9"W x 4" D, 4lbs
- 23"L x 9"W x 4"D, 8lbs
- 34"L x 9"W x 4"D, 12lbs
- 45.5"L x 9"W x 4" D, 16lbs

#### MOUNTING

- J-Box 3.0 or 4.0 compatible
- Can be mounted vertically or horizontally or ceiling. Refer to installation instructions for details.

#### TWO DIMMING METHODS INCLUDED

- LUMENSELECT® 4-level light output dial (100%, 75%, 50%, 25%)
- 0-10V Dimming (100-10%)

#### SPECIFICATIONS

- IK10 UL Certified (protected against 20 joules of impact)
- Title 24 Compliant for Non-Residential applications
- For T24 JA8 certified, contact ALVA
- ADA Compliant
- Fully sealed lamp shade
- 120-277V Input
- Color Temperature Select (CCT), Integrated four CCT select (2700K, 3000K, 3500K, 4000K). OPTIONAL (specify)
- ETL Damp Listed (Wet Listed, IP66 Rated available (option, C.F.))
- Architectural grade finish on trim. Optional Antimicrobial Finish (must specify)
- 10 Year Limited Warranty (excludes shade)
- Tamper Resistant (option)

#### LAMPING

- 90 CRI (minimum)
- 85 LM/W Performance (module)
- High Efficiency, fully integrated proprietary LED Module
- 12" - 12.6 W, 1000+ lumens (module without shade)
- 23" - 25.2 W, 2400+ lumens (module without shade)
- 34" - 38 W, 3600+ lumens (module without shade)
- 45.5" - 50.5 W, 4250+ lumens (module without shade)
- Internal power supply
- Modular design, LED Module and power supply easily replaced

#### CONSTRUCTION

- Shade: Durable ARCHITECTURAL RESIN by ALVA
- Trim: Metal Finish Powder Coat

# EVA DELUXE

FULLY SEALED HEALTHCARE GRADE LAMP SHADE, HIGH PERFORMANCE LED WALL SCONCE

alva®



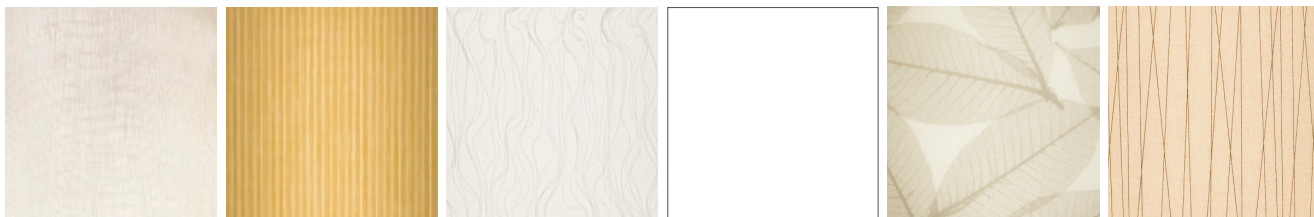
Eva-12 with Linear Cross shade, EOB trim

Eva-46 with Island Breeze shade, EOB trim

**Eva Deluxe** is ideal for healthcare applications:

- 12”L for patient room or corridor wall sconces
- 45.5”L above patient beds

Vandal resistant, architectural resin by ALVA® Shade Options



IB - Island Breeze

GS - Gold Shimmer

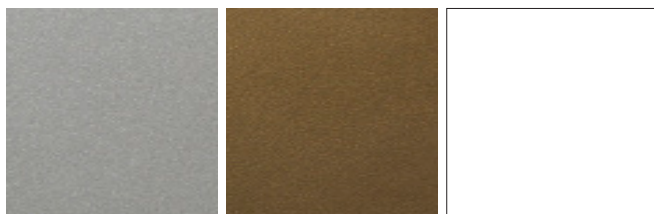
B - Burano

W - White Resin

A - Autumn

LC - Linear Cross

Metal Trim Powder Coat Finish Options



ESN - Enviro Satin Nickel

EOB - Enviro Oil-Rubbed Bronze

WHT - White

# EVA DELUXE

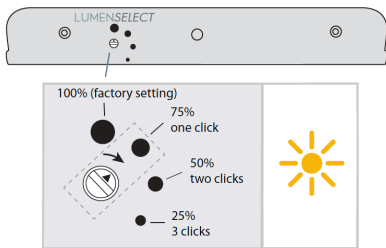
FULLY SEALED HEALTHCARE GRADE LAMP SHADE, HIGH PERFORMANCE LED WALL SCNCE

alva®

## LUMENSELECT™

LUMENSELECT™, a dimming control panel on all ALVA luminaires, allows you to customize light output to create the desired atmosphere and to limit the consumption of electricity. The LUMENSELECT™ rotary switch should be turned gently clockwise with a small flathead screwdriver with a 1/8" or 3mm wide tip, one click at a time from factory setting to get desired output level.

LUMENSELECT™ control panel on the end cap of ALVA luminaires:



### Setting LUMENSELECT™ Levels

ALVA luminaires come factory set at 100% light output. You may choose from four output settings, typically performed at the time of installation:

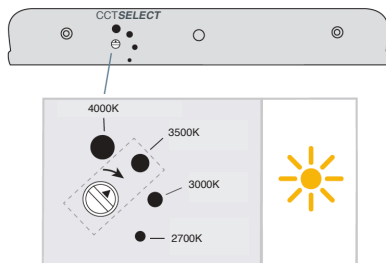
- 100% light output & energy consumption
- 75% light output & energy consumption
- 50% light output & energy consumption
- 25% light output & energy consumption

LumenSELECT™ Setting	Wattage	Delivered Lumens
100%	24	1224
75%	18	918
50%	12	612
25%	6	306

*\*Tested with Island Breeze Resin, 3000K CCT*

## CCTSELECT

CCTSELECT control panel on the end cap of ALVA luminaires:



### Setting CCTSELECT Levels

ALVA luminaires come set at your call out in your order. If CCT is not indicated, your module will be set at 3000K by default.

### Remote Dimming Option, 0 - 10V (100 - 10%)



0-10V dimming may be used with compatible dimmer controls  
Please refer to [ALVALIGHT.COM](http://ALVALIGHT.COM) for a listing of compatible dimmers



Eva-46 with Island Breeze shade, ESN trim

## ORDER CODE:

EVA DELUXE						
MODEL	LENGTH	SHADE MATERIAL	SHADE PATTERN	METAL TRIM	CCT	ANTIMICROBIAL FINISH
	12 12"	R Resin	B Burano	<small>POWDER COAT FINISH OPTIONS</small>	2700 2700K	
	23 23"		GS Gold Shimmer	ESN Enviro Satin Nickel	3000 3000K	AM Antimicrobial Finish
	34 34"		IB Island Breeze	EOB Enviro Oil-Rubbed Bronze	3500 3500K	
	46 45.5"		A Autumn	WHT White	4000 4000K	
			LC Linear Cross		CS CCT Select Option	
			W White Resin			