

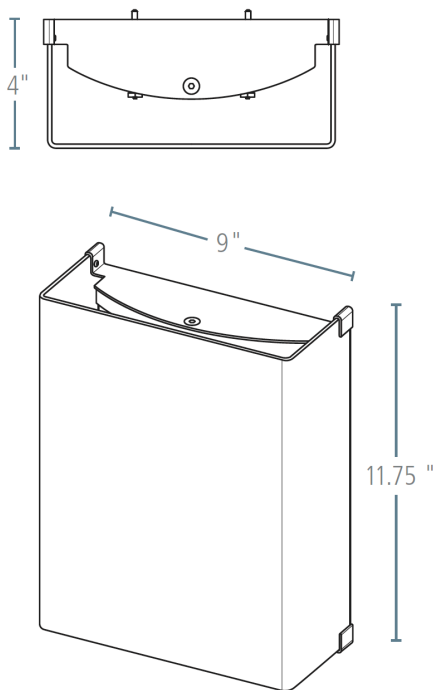
BOB Deluxe

HEALTHCARE GRADE LED WALL SCONCES

alva



BOB Deluxe shown with Island Breeze (IB) shade, Brushed Nickel (N) Trim



APPLICATIONS	<ul style="list-style-type: none">• Healthcare Grade, Education, Multi-Family Residential, Condominiums, Retail, Corporate, Senior Living
SIZE	<ul style="list-style-type: none">• 9"W x 11.75"H x 4"D
WEIGHT	<ul style="list-style-type: none">• 4 lbs
MOUNTING	<ul style="list-style-type: none">• J-Box 3.0 or 4.0 at center or end of fixture
EMERGENCY BACK-UP OPTION	<ul style="list-style-type: none">• Fulham FireHorse Hotspot LED Emergency Back-Up System• Fully integrated battery back-up, all components enclosed within fixture
TWO DIMMING METHODS INCLUDED	<ul style="list-style-type: none">• LUMENSELECT® 4-level light output dial (100%, 75%, 50%, 25%)• 0-10V Dimming (100-10%)
SPECIFICATIONS	<ul style="list-style-type: none">• IK10 UL Certified (protected against 20 joules of impact)• For T24 JA8 certified, contact ALVA• ADA Compliant• UL Damp listed• L90 - 100,000+ hours. 10 years / 24/7• 120-277V input• 10 Year Warranty on complete fixture
LAMPING	<ul style="list-style-type: none">• On Board CCT Select Dial (2700K, 3000K, 3500K, 4000K)• 10W• 90 CRI• Resin Shade: 818 LM• Acrylic Shade: 1190 LM
CONSTRUCTION	<ul style="list-style-type: none">• Resin: ARCHITECTURAL RESIN by ALVA• Acrylic: White Opal matte finish

BOB Deluxe

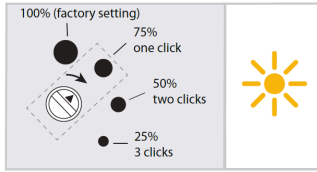
HEALTHCARE GRADE LED WALL SCONCES

alva

LUMENSELECT™

LUMENSELECT™, a dimming control panel on all ALVA luminaires, allows you to customize light output to create the desired atmosphere and to limit the consumption of electricity. The LUMENSELECT™ rotary switch should be turned gently clockwise with a small flathead screwdriver with a 1/8" or 3mm wide tip, one click at a time from factory setting to get desired output level.

LUMENSELECT™ control panel on the end cap of ALVA luminaires:



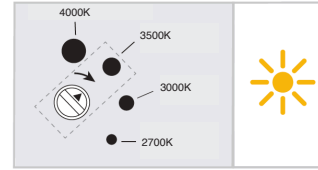
Setting LUMENSELECT™ Levels

ALVA luminaires come factory set at 100% light output. You may choose from four output settings, typically performed at the time of installation:

- 100% light output & energy consumption
- 75% light output & energy consumption
- 50% light output & energy consumption
- 25% light output & energy consumption

CCTSELECT

CCTSELECT control panel on the end cap of ALVA luminaires:



Setting CCTSELECT Levels

ALVA luminaires come set at your call out in your order. If CCT is not indicated, your module will be set at 3000K by default.



Remote Dimming Option, 0 - 10V (100 - 10%)

0-10V dimming may be used with compatible dimmer controls

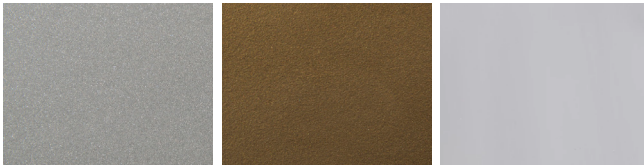
Please refer to ALVALIGHT.COM for a listing of compatible dimmers

RESIN SHADE OPTIONS Vandal resistant, architectural resin by ALVA®



METAL TRIM OPTIONS

Powder Coat Finish Options



N - Brushed Nickel (plated) EOB - Enviro Oil-Rubbed Bronze ESN - Enviro Satin Nickel with antimicrobial finish

ORDER CODE:

MODEL	SHADE MATERIAL	SHADE PATTERN	METAL TRIM	CCT	LENS OPTION	EMERGENCY BACK UP
BOB						
	R Resin A Acrylic	IB Island Breeze A Autumn LC Linear Cross GS Gold Shimmer B Burano W White FA Faux Alabaster R Rain WO White Opal Acrylic	N Brushed Nickel (Plated) EOB Enviro Oil-Rubbed Bronze ESN Enviro Satin Nickel with anti-microbial finish	2700 2700K 3000 3000K 3500 3500K 4000 4000K CS CCT Select	L Acrylic Lens Top/Bottom (set of 2)	EM Emergency Battery Back-up