


alva

BETTY™ by ALVA Lighting

ALVA BETTY™

The perfect solution for corridor lighting. Timeless design using robust resin shade material with fabric embedded in the resin.



A photograph of a modern hallway. On the left, a curved, cylindrical light fixture with a textured, fabric-like cover is mounted on a white wall. To the right, a doorway is framed with light-colored wood paneling. Above the doorway, a red illuminated exit sign with a left-pointing arrow is mounted on the ceiling. The hallway continues into the distance, with a dark carpet and white walls, and another exit sign visible further down.

ALVA BETTY™

Best-in-Class LED module, module acts as a high-performance heat sink and provides 24/7/365 illumination for 20 plus years.



ALVA BETTY™

Maintenance-free for decades.
10 year warranty, 20 year rated life time
on all electronics.



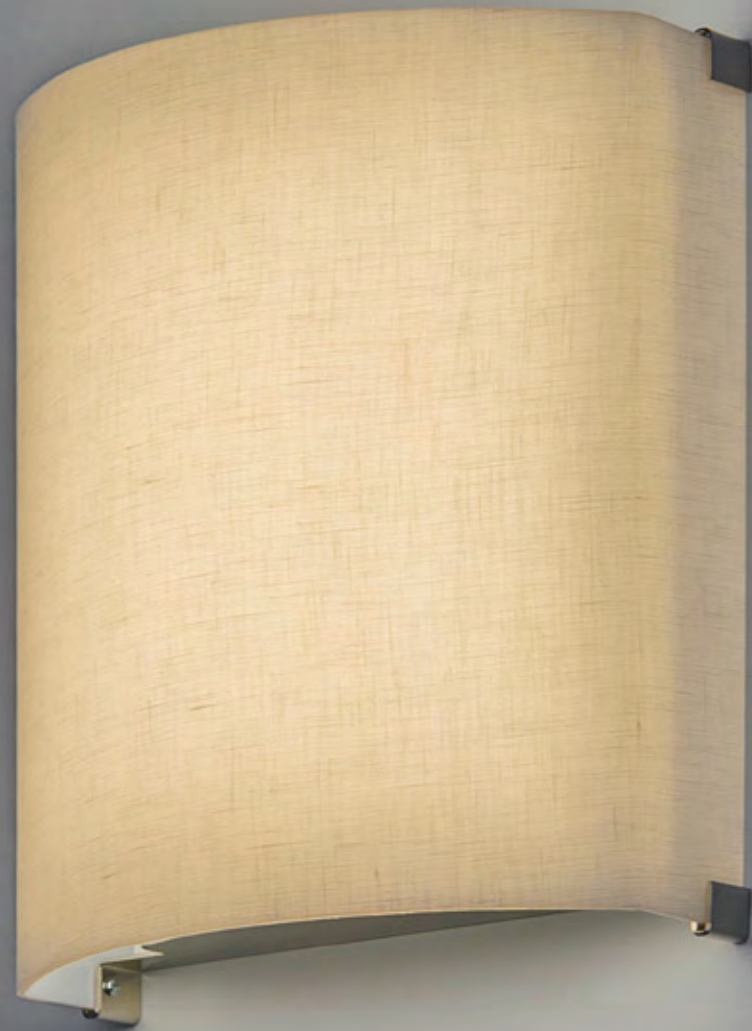
ALVA BETTY™

Customize output utilizing ALVA's proprietary LUMENSELECT™ onboard dimming dial, standard.



ALVA BETTY™

Fully integrated Battery Back-Up option available.



BETTY™ SPECS

10 year Warranty with long life time rating on all electronics.

DIMENSIONS:

- 9"W x 11.75"H x 4"D

WEIGHT:

- 4 lbs

APPLICATIONS:

- High Rises • Healthcare
- Retail • Education
- Corporate • Hospitality

SPECIFICATIONS:

- ENERGY STAR® qualified options
- L90 - 100,000+ hours. 10 years / 24/7
- 20 year rated life time on all electronics
- ETL Damp listed
- 120-277V input
- Even Arc Technology: Proprietary LED module & board layout that provides even illumination
- 10 Year Limited Warranty (excludes shade)
- Title 24 Compliant
- ADA Compliant

TWO DIMMING METHODS:

- LUMENSELECT™ 4-level light output dial (100%, 75%, 50%, 25%)
- 0-10V Dimming (100-10%)

METAL TRIM OPTIONS



EOB - Enviro Oil-Rubbed Bronze
(Powder Coat)

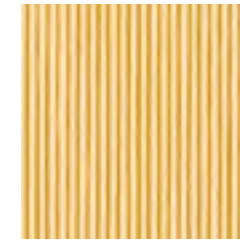


N -Brushed Nickel (Plated)

RESIN SHADE OPTIONS



IB - Island Breeze
ENERGY STAR Qualified



GS - Gold Shimmer



B - Burano
ENERGY STAR Qualified



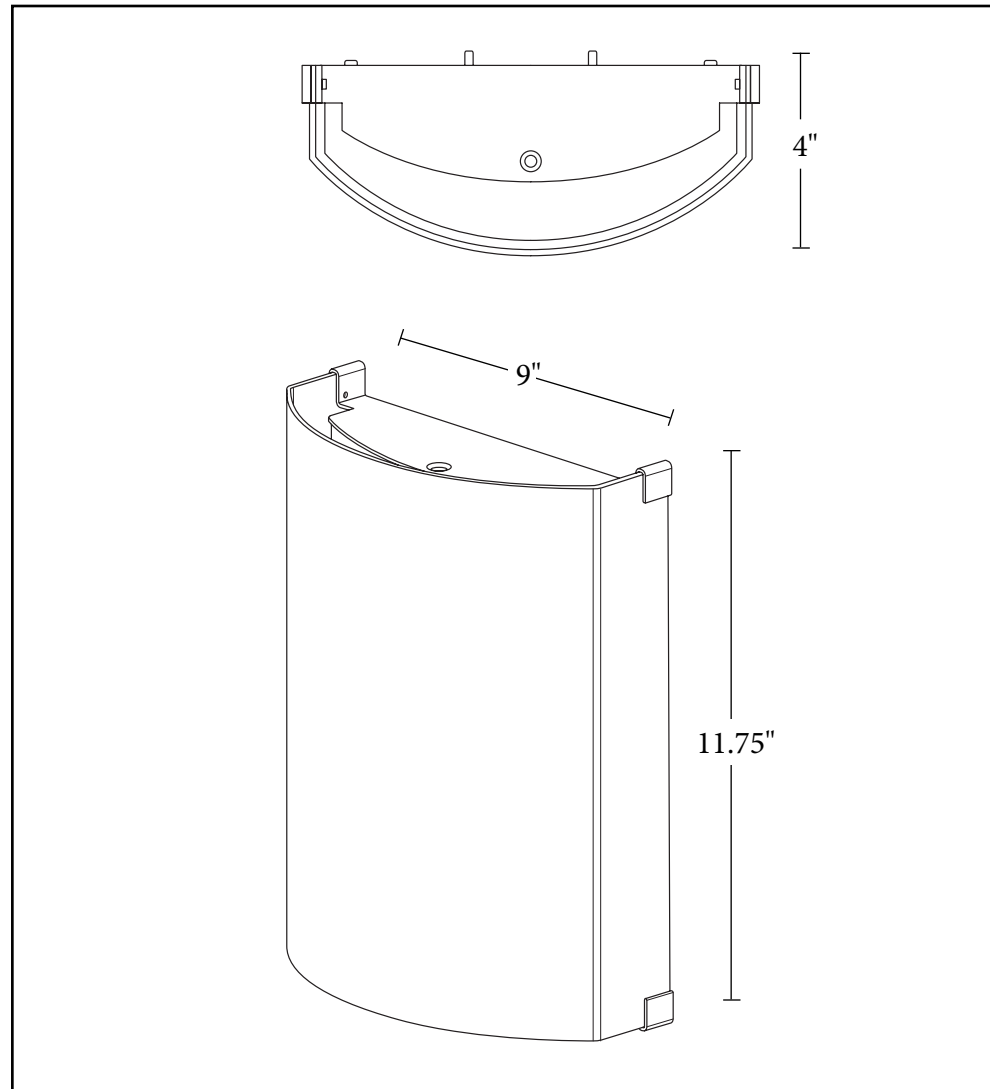
LC - Linear Cross



R - Rain
ENERGY STAR Qualified



A - Autumn



LAMPING:

- 2700K, 3000K, 3500K, 4000K CCT
- 85 CRI Typical, 90 CRI available
- 75W equivalent, 9.6W
- Module (without shade) 1150+ lumens

EMERGENCY BACK-UP OPTION:

- Fulham FireHorse Hotspot LED Emergency Back-Up System
- Fully integrated battery back-up, all components enclosed within fixture

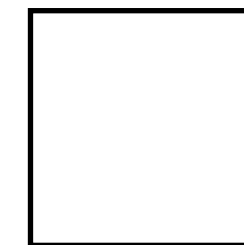
SHADE/FIXTURE CONSTRUCTION:

- Resin: ARCHITECTURAL RESIN by ALVA
- Acrylic: White Opal matte finish, 1200 lumens delivered

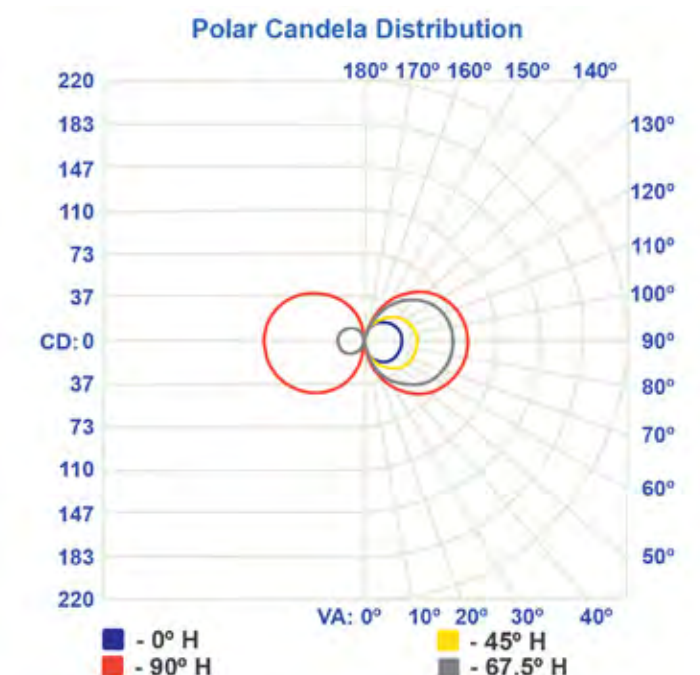
MOUNTING:

- J-Box 3.0 or 4.0 at center or end of fixture

ACRYLIC SHADE OPTIONS



WO - White Opal
ENERGY STAR Qualified



alva

BETTY™ by ALVA Lighting

LED-BASED ARCHITECTURAL LIGHTING
918 PARKER STREET, SUITE A14, BERKELEY, CA 94710
P: 408.394.3054 WWW.ALVALIGHT.COM

To learn more about BETTY™ and ALVA Lighting please click [here](#)

To see a short video about BETTY™ click [here](#)

To find an ALVA Lighting rep click [here](#)

