

alva

Natalie Exterior Wall Sconce Install Guide

Key Installation Features

Flexible Mounting:

1. J box/electrical wires can be located wherever is most convenient for the installer
2. You do not HAVE to mount directly to the junction box

The LED module is provided with the electrical wires running out of the center. However, you may remove the back cover of the LED module and drill a hole and run the wires out wherever required to align the fixture as you'd like on the wall.

Hardware Included

Quantity of 4: M6 flat head machine screws (to secure the shade to the module)

Quantity of 2-3: Mounting Plates (depending on model)

Quantity of 8 or 12: 8-32 screws (to secure mounting plate to module)

Overview:

The ALVA exterior luminaires consist of three primary components:

1. ALVA IP66 Exterior Led Light Module
2. ALVA Decorative Housing
3. Acrylic Inserts

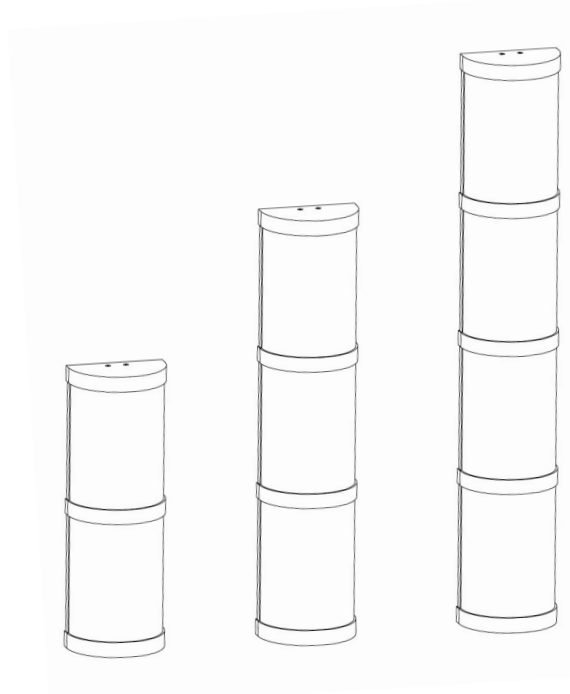
1. ALVA IP66 Exterior Led Light Module



2. ALVA Decorative Housing (Shown Below: Tex Wall Sconce)



Natalie Decorative Housing:



The installation consists of mounting the ALVA LED module to the wall using the LED Module mounting brackets (included). You do not need to mount directly to the junction box. After you have installed the module to the wall and made the necessary electrical connections, you mount the ALVA decorative housing to the module.

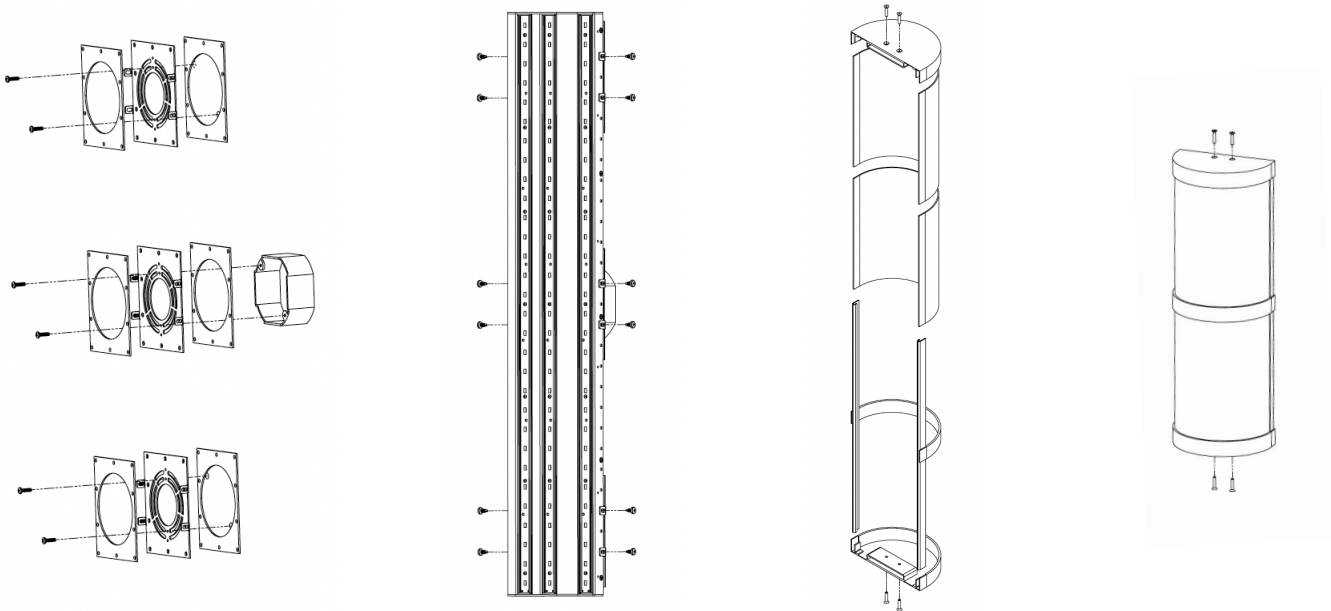
The ALVA exterior luminaire may be available in up to three lengths (30", 45", and 60") depending on model. The luminaire may be mounted on the wall either vertically or horizontally.

Note: Wall mounting hardware is not included due to the wide variety of wall materials. Customer should determine the appropriate anchoring hardware for their specific needs. ALVA recommends the use of #10 mounting hardware.

CAUTION:

Be sure the power is turned off by either removing the fuse or closing the circuit breaker. Installation must be in compliance with National, State and Local electrical codes.

Natalie Mounting & Decorative Housing:



Installation

The ALVA exterior luminaire consists of either 2 or 3 back plates that are anchored to the wall to hold the fixture once installed. ALVA luminaires may be mounted to the junction box at the center of the fixture or an alternate mounting location near the end of the fixture. Please reference “Alternate Junction Box Mounting location section of the document for exact location”.

Additionally, the electrical wires extend to one end of the module and then back out the center allowing the electrician to remove the back LED module cover, drill a hole in the backplate where s/he'd like the wires to exit the fixture and replace the back cover. This allows one to install the light at any point behind the fixture that one wants.

Carefully follow these steps:

Step One

Remove the (4) M6 flat head screws that secure the shade to the light module and set them aside. Remove the shade to expose the module.

Step Two

- A. Remove mounting brackets from the back of the module.
- B. Utilize the LED module to hold level and mark wall bracket mounting locations.
- C. Carefully pull supply conductors and ground cable through access hole for step three.

Step Three

If using an optional end knock-out on the module, carefully remove desired knock-out, move rubber cable shield from center hole to new hole and pull input cables out through cable shield. Connect supply to input cables on module. Mount module to brackets using screws removed in Step Two, A.

Step Four

In conformance with UL Standard 1598, a silicone based sealant **MUST** be used around entire perimeter of module where it meets the adjacent, supporting wall surface. This shall be applied prior to Step Five.

Step Five

Insert the acrylic decorative shade lens into the metal housing.

Dimming Options: Your ALVA exterior luminaire luminaire includes a 0-10V dimming as standard.

0-10V Dimming

To utilize the 0-10V dimming you must provide control wires to the junction box.

At the time of installation, attach Blue (DIM+) wire from back of fixture to DIM+ control wire from junction box. Attach White (DIM-) wire from back of fixture to DIM- wire from junction box.

Compatible and Tested Dimmers:

Lutron® Model DDTV

Leviton® Model Decora®

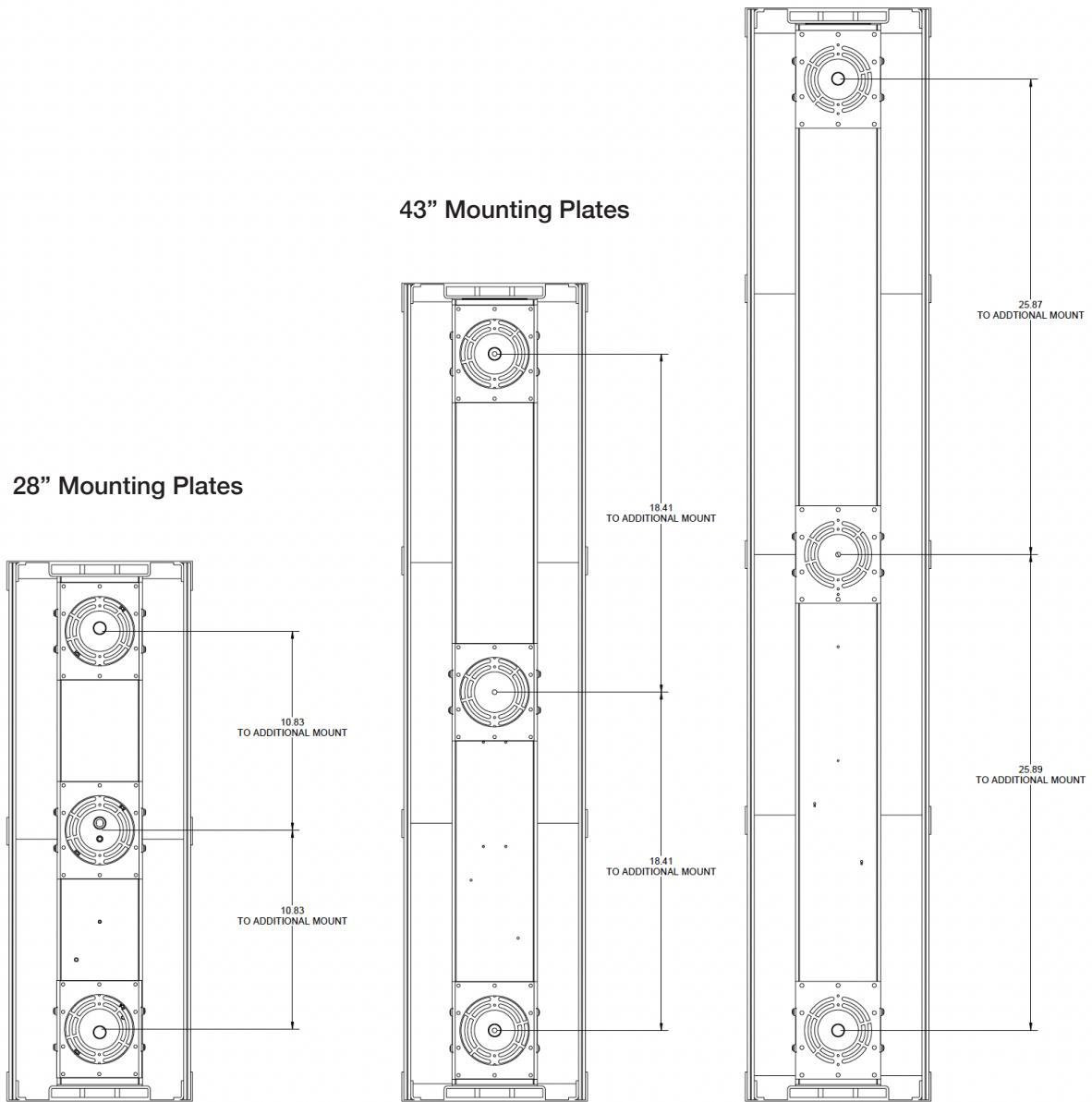
Illumatech™ IP710-DLZ

ALVA Exterior Module:

58" Mounting Plates

43" Mounting Plates

28" Mounting Plates



©2022 ALVA LIGHT. All rights reserved.