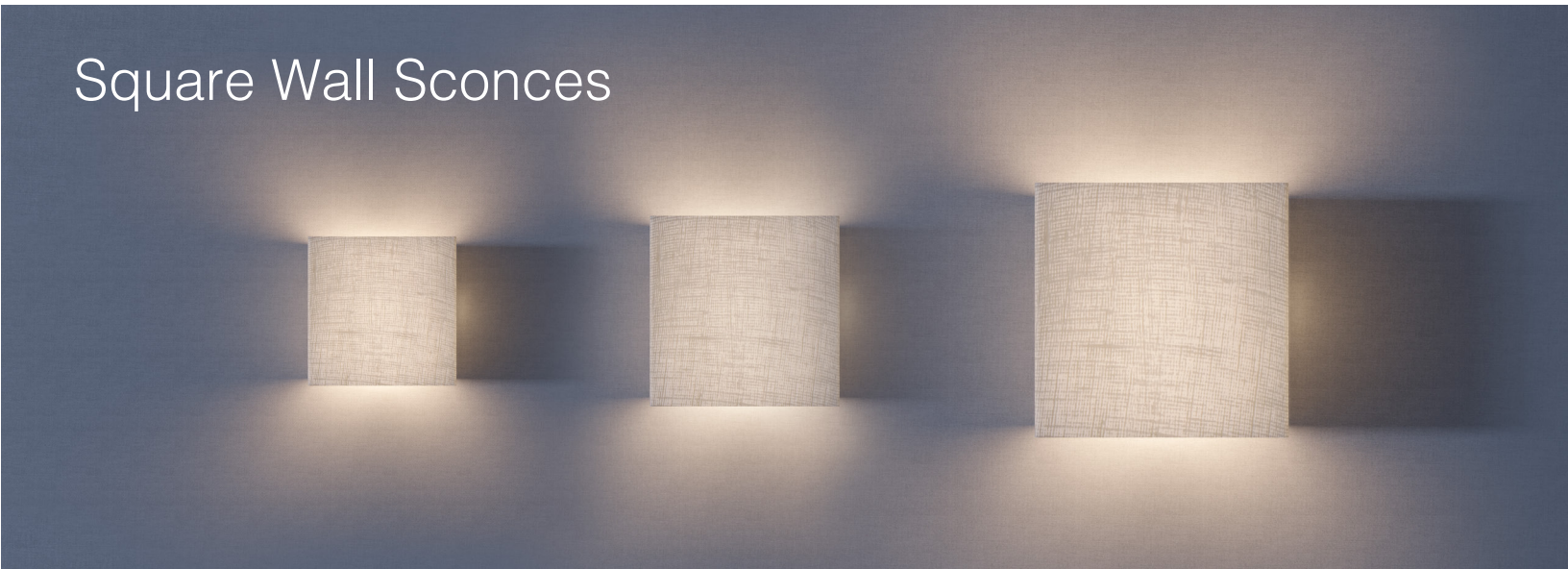


Square Wall Sconces



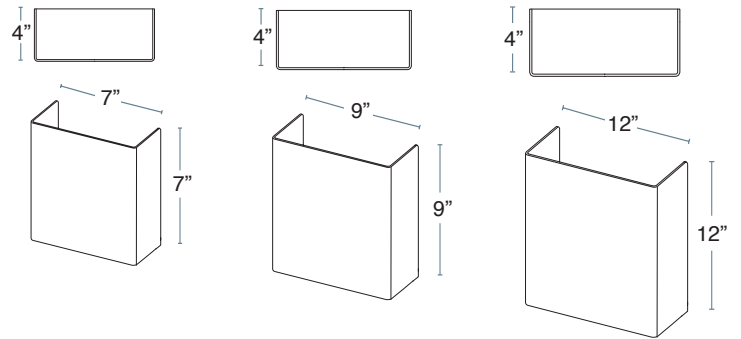
A personal approach to building the perfect fixture for your project. Sconces can be ordered as a stand alone fixture or you can add one of our decorative elements.

IES FILES AVAILABLE



AVAILABLE WITH OPTIONAL DECORATIVE ELEMENTS

See website for all options



| | |
|------------------------|---|
| MODULE | Choose 15W or 10W high-performance, field replaceable LED module. |
| RATED LIFETIME | L70 100,000+ hours |
| SHADE | IK10 UL Certified high impact resin |
| CERTIFICATIONS | UL Damp Listed, RoHS, IK10 UL Certified, Title24 JA8 Certified, Energy Star |
| BATTERY BACK-UP | Optional Emergency Battery Back-up available for SQ12W12H only. Must specify. |
| WARRANTY | 10 Years |
| WATTAGE | 15W (SQ12W12H), 10W (SQ7W7H and SQ9W9H) |
| INPUT VOLTAGE | UNV (120-277VAC) |
| CRI | 90+ |
| DIMMING | Triac/ELV (120V only) |
| WEIGHT | 3 LBS |
| PROJECTION | 4", ADA Compliant |

| FIXTURE | MODULE | WATTS | DELIVERED LUMENS: RESIN SHADE | DELIVERED LUMENS: WHITE OPAL ACRYLIC | INPUT |
|--------------------------|---------|-------|----------------------------------|---|------------|
| SQ12W12H | AU-R15W | 15W | 1115 | 1394 | 120V, 277V |
| SQ7W7H, SQ9W9H, SQ12W12H | AU-C10W | 10W | 696 | 870 | 120V, 277V |

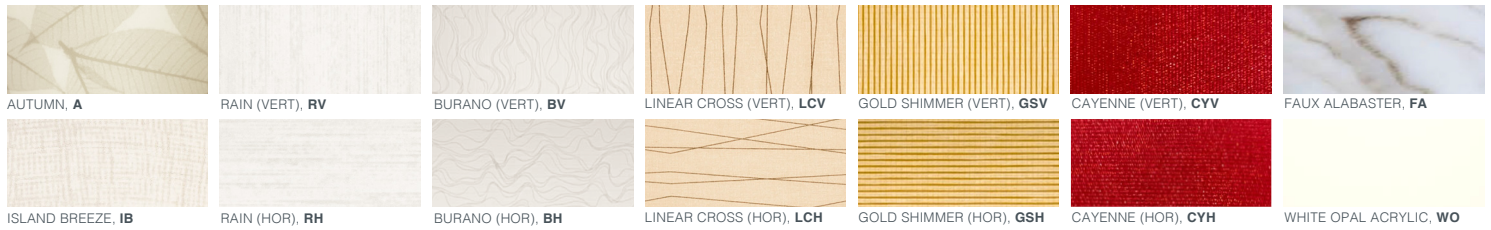
Note: For Gold Shimmer, Linear Cross, and Cayenne resin, multiply delivered lumens by .8

ORDER CODE:

EXAMPLE: AU - C10W - 30 - 9 - SQ12W12H - WO - DP3B - PN - TLC

| FAMILY | LED MODULE | CCT | CRI | SHADE SHAPE | SHADE PATTERN | DECORATIVE ELEMENT | DECORATIVE ELEMENT FINISH | OPTIONAL DOOR PANEL PLAQUE | LENS OPTIONS | OPTIONAL EMERGENCY BATTERY BACK-UP |
|-----------|-------------|-----------|----------|-------------------|----------------------|--------------------|---------------------------|----------------------------|--------------|------------------------------------|
| AU | | | 9 | | | | | | | |
| | C10W | 22 | 9 | SQ7W7H | <i>Resin</i> | DE10A | <i>Powder Coat</i> | DPP | BLC | EM |
| | R15W | 2200K | 90+ CRI | 7"W x 7"H x 4"D | IB | DE3A | | | TLC | (12W12H only) |
| | | 27 | | SQ9W9H | A | DE3B | | | STLC | |
| | | 2700K | | 9"W x 9"H x 4"D | FA | DP3A | | | | |
| | | 30 | | SQ12W12H | LCV | DP3B | | | | |
| | | 3000K | | 12"W x 12"H x 4"D | LCH | DP6A | | | | |
| | | 35 | | | GSV | DP6B | | | | |
| | | 3500K | | | GSH | DP9A | | | | |
| | | 40 | | | BV | DP9B | | | | |
| | | 4000K | | | BH | DP12A | | | | |
| | | | | | CYV | DP12B | | | | |
| | | | | | CYH | DP18A | | | | |
| | | | | | RV | DP18B | <i>Wood Finishes</i> | | | |
| | | | | | RH | DP24A | | | | |
| | | | | | <i>Acrylic Shade</i> | DP24B | | | | |
| | | | | | WO | DP36A | | | | |
| | | | | | | DP36B | | | | |
| | | | | | | ELPS | | | | |
| | | | | | | ELPL | | | | |

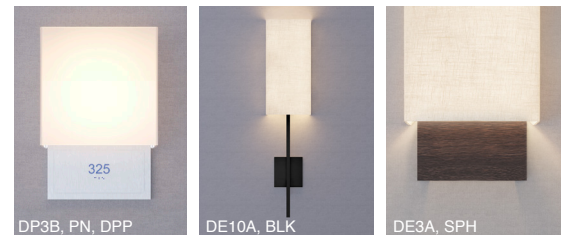
IK10 UL Certified High Impact Resin Options



Decorative Element Options

Sconce can be ordered as a stand alone fixture or paired with a decorative element. For full selection of current available DEs please visit alvalight.com/design-your-light

- | | |
|---|--|
| DE10A Modern Armature 5"W x 5"H Face Plate, 12"H | DP12A 12" Door Panel, 6.5"W x 12"H |
| DE3A Wood U-Channel, Small 6.5"W x 3"H x 1.75"D | DP12B 12" Door Panel Wide, 8.5"W x 12"H |
| DE3B Wood U-Channel, Large 8.5"W x 3"H x 1.75"D | DP18A 18" Door Panel, 6.5"W x 18"H |
| DP3A 4" Door Panel, 6.5"W x 3.5"H | DP18B 18" Door Panel Wide, 8.5"W x 18"H |
| DP3B 4" Door Panel, 8.5"W x 3.5"H | DP24A 24" Door Panel, 6.5"W x 24"H |
| DP6A 6" Door Panel, 6.5"W x 6"H | DP24B 24" Door Panel Wide, 8.5"W x 24"H |
| DP6B 6" Door Panel Wide, 8.5"W x 6"H | DP36A 36" Door Panel, 6.5"W x 36"H |
| DP9A 9" Door Panel, 6.5"W x 9"H | DP36B 36" Door Panel Wide, 8.5"W x 36"H |
| DP9B 9" Door Panel Wide, 8.5"W x 9"H | ELPS Ellipse Short |
| | ELPL Ellipse Long |

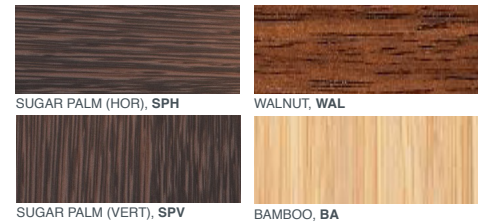


Decorative Element Finish Options

Metal Powder Coat Finishes



Wood Finishes (U-Channel & Door Panel Decorative Elements Only)



Custom RAL Powdercoat Colors also available (CP), MOQ may apply.

Optional Door Panel Plaques



Door Panel Plaques are for Door Panel Decorative Elements only. Door number plaque can be personalized by Finish, Logo/Branding, Font Style, Font Size, Braille, Size of Plaque.

Lens Options

- BLC** Bottom Lens Cover (BLC)
- TLC** Top Lens Cover (TLC)
- STLC** Sealed Top Lens Cover (STLC)