

## Rectangle 14"W x 7"H

**RE14W7H** is a personal approach to building the perfect fixture for your project. Sconce can be ordered as a stand alone fixture or you can add one of our decorative elements.

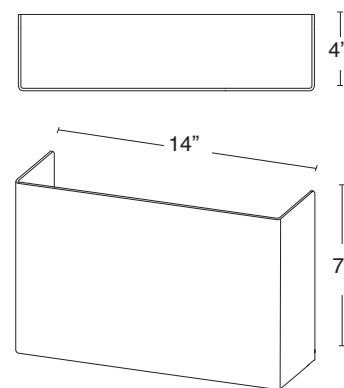
### IES FILES AVAILABLE



### AVAILABLE WITH OPTIONAL DECORATIVE ELEMENTS

See website for all options

<b>MODULE</b>	Choose 15W or 10W high-performance, field replaceable LED module.
<b>RATED LIFETIME</b>	L70 100,000+ hours
<b>SHADE</b>	IK10 UL Certified high impact resin
<b>CERTIFICATIONS</b>	UL Damp Listed, RoHS, IK10 UL Certified, Title24 JA8 Certified, Energy Star
<b>WARRANTY</b>	10 Years
<b>WATTAGE</b>	15W, 10W
<b>INPUT VOLTAGE</b>	UNV (120-277VAC)
<b>CRI</b>	90+
<b>DIMMING</b>	Triac/ELV (120V only)
<b>WEIGHT</b>	3 LBS
<b>PROJECTION</b>	4", ADA Compliant



FIXTURE	MODULE	WATTS	DELIVERED LUMENS: RESIN SHADE	DELIVERED LUMENS: WHITE OPAL ACRYLIC	INPUT
RE14W7H	AU-R15W	15W	1115	1394	120V, 277V
	AU-C10W	10W	696	870	120V, 277V

Note: For Gold Shimmer, Linear Cross, and Cayenne resin, multiply delivered lumens by .8

ORDER CODE:

EXAMPLE: AU - C10W - 30 - 9 - RE14W7H - WO - DE3B - SPH - TLC

FAMILY	LED MODULE	CCT	CRI	SHADE SHAPE	SHADE PATTERN	DECORATIVE ELEMENT	DECORATIVE ELEMENT FINISH	OPTIONAL DOOR PANEL PLAQUE	LENS OPTIONS
AU			9	RE14W7H					
	C10W R15W	22 2200K	9 90+ CRI	RE14W7H 14"W x 7"H x 4"D	Resin IB A FA LCV LCH GSV GSH BV BH CYV CYH RV RH  Acrylic Shade WO	DE10A DE3A DE3B DP3A DP3B DP6A DP6B DP9A DP9B DP12A DP12B DP18A DP18B DP24A DP24B DP36A DP36B ELPS ELPL	Powder Coat  EOB ESN ESB GR DB PN WHT BLK CP  Wood Finishes  WAL SPV SPH BA	DPP	BLC TLC STLC
		27 2700K							
		30 3000K							
		35 3500K							
		40 4000K							

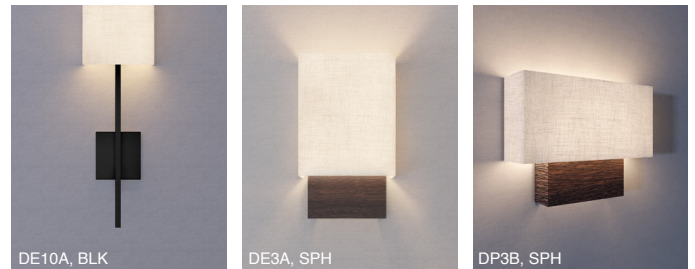
IK10 UL Certified High Impact Resin Options



Decorative Element Options

Sconce can be ordered as a stand alone fixture or paired with a decorative element. For full selection of current available DEs please visit [alvalight.com/design-your-light](http://alvalight.com/design-your-light)

- |   |  |
|---|--|
| <b>DE10A</b> Modern Armature 5"W x 5"H Face Plate, 12"H | <b>DP12A</b> 12" Door Panel, 6.5"W x 12"H      |
| <b>DE3A</b> Wood U-Channel, Small 6.5"W x 3"H x 1.75"D  | <b>DP12B</b> 12" Door Panel Wide, 8.5"W x 12"H |
| <b>DE3B</b> Wood U-Channel, Large 8.5"W x 3"H x 1.75"D  | <b>DP18A</b> 18" Door Panel, 6.5"W x 18"H      |
| <b>DP3A</b> 4" Door Panel, 6.5"W x 3.5"H                | <b>DP18B</b> 18" Door Panel Wide, 8.5"W x 18"H |
| <b>DP3B</b> 4" Door Panel Wide, 8.5"W x 3.5"H           | <b>DP24A</b> 24" Door Panel, 6.5"W x 24"H      |
| <b>DP6A</b> 6" Door Panel, 6.5"W x 6"H                  | <b>DP24B</b> 24" Door Panel Wide, 8.5"W x 24"H |
| <b>DP6B</b> 6" Door Panel Wide, 8.5"W x 6"H             | <b>DP36A</b> 36" Door Panel, 6.5"W x 36"H      |
| <b>DP9A</b> 9" Door Panel, 6.5"W x 9"H                  | <b>DP36B</b> 36" Door Panel Wide, 8.5"W x 36"H |
| <b>DP9B</b> 9" Door Panel Wide, 8.5"W x 9"H             | <b>ELPS</b> Ellipse Short                      |
|   | <b>ELPL</b> Ellipse Long                       |



Decorative Element Finish Options

Metal Powder Coat Finishes



Wood Finishes (U-Channel & Door Panel Decorative Elements Only)



Custom RAL Powdercoat Colors also available (CP), MOQ may apply.

Optional Door Panel Plaques



Door Panel Plaques are for Door Panel Decorative Elements only. Door number plaque can be personalized by Finish, Logo/Branding, Font Style, Font Size, Braille, Size of Plaque.

Lens Options

- BLC** Bottom Lens Cover (BLC)
- TLC** Top Lens Cover (TLC)
- STLC** Sealed Top Lens Cover (STLC)