

# 15W

## INSTALLATION INSTRUCTIONS

### MOUNTING HARDWARE INCLUDED:

Quantity of 1: 1/8 IPS Pipe  
 Quantity of 1: Lock-Up Cap  
 Quantity of 1: Mounting Crossbar

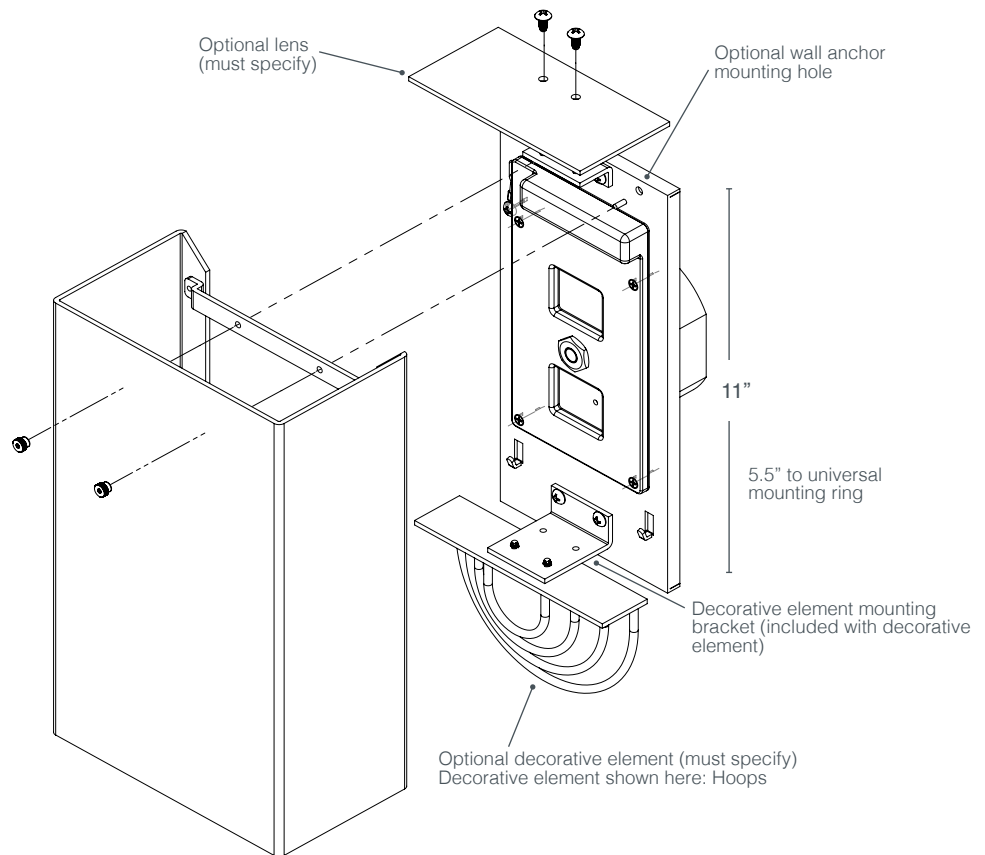
### FIXTURE COMPONENTS INCLUDED:

- Back Plate with thumb nuts
- Alva LED module (packaged with mounting hardware and Energy Star WAGO connector)
- Decorative Lamp Shape
- Decorative Element (optional)

### INSTALLING YOUR AUBERGE LIGHT FIXTURE:

**CAUTION:** Be sure the power is turned off by either removing the fuse or closing the circuit breaker. Installation must be in compliance with National, State and Local electrical codes.

1. Remove Alva LED module from ESD bag. Using screws provided, mount LED module to Alva back plate.
2. Attach the crossbar to the junction box. Screw the 1/8 IPS pipe into the cross bar.
3. Connect the electrical wires from the junction box to the electrical wires of the LED module. For Energy Star compliance, utilize the WAGO male/female QuickConnect provided.
4. Place the LED light system (LED module with back plate) over the 1/8 IPS pipe from the universal mounting ring and carefully slide the fixture up snug to the junction box being careful to ensure the wires feed into the junction box. Screw on the lock-up cap to the 1/8 IP pipe.
5. You have the option to secure the back plate to the wall via a threaded or plastic anchor for additional support. Note hole location (marked optional wall anchor mounting hole).
6. If optional decorative element selected, screw mounting tongue to decorative element (place optional lens in between tongue and decorative element). Screw tongue to LED module back plate.
7. Mount decorative shade to the light module using hardware included with the shade selected for your project.



### DIMMING OPTIONS

All Alva light fixtures using AU-R15W are TRIAC/ELV dimmable.

### TESTED COMPATIBLE DIMMERS (TRIAC OR ELV DIMMERS)

Other TRIAC and ELV dimmers are compatible. Contact manufacturer for compatibility. Specifications subject to change without notice.

#### Manufacture Model Type:

Lutron NTLV-600 TRIAC (Leading Edge)  
 Leviton IPL06-10Z TRIAC (Leading Edge)  
 Lutron S-600 TRIAC (Leading Edge)  
 Lutron LG-600P TRIAC (Leading Edge)  
 RH703PTC TRIAC (Leading Edge)  
 Incandescent Analog Legrand  
 Leviton R62-6674-POW CFL / LED  
 Core SI061BR-PTA

TRIAC (Leading Edge)  
 Incandescent Analog  
 Leviton R70-6631-1LW TRIAC (Leading Edge)  
 Incandescent Analog  
 Leviton 002-6633-PLW  
 TRIAC (Leading Edge)  
 Incandescent Analog  
 Lutron SELV-303P ELV (Trailing Edge)

Lutron D-600R TRIAC (Leading Edge)  
 Incandescent Analog  
 Lutron S-603P TRIAC (Leading Edge)  
 Incandescent Analog  
 Leviton DDE06-BLZ ELV (Trailing Edge)  
 Leviton RDL06-10Z TRIAC (Leading Edge)  
 Lutron CT-600P TRIAC (Leading Edge)  
 Lutron DV-600P TRIAC (Leading Edge)