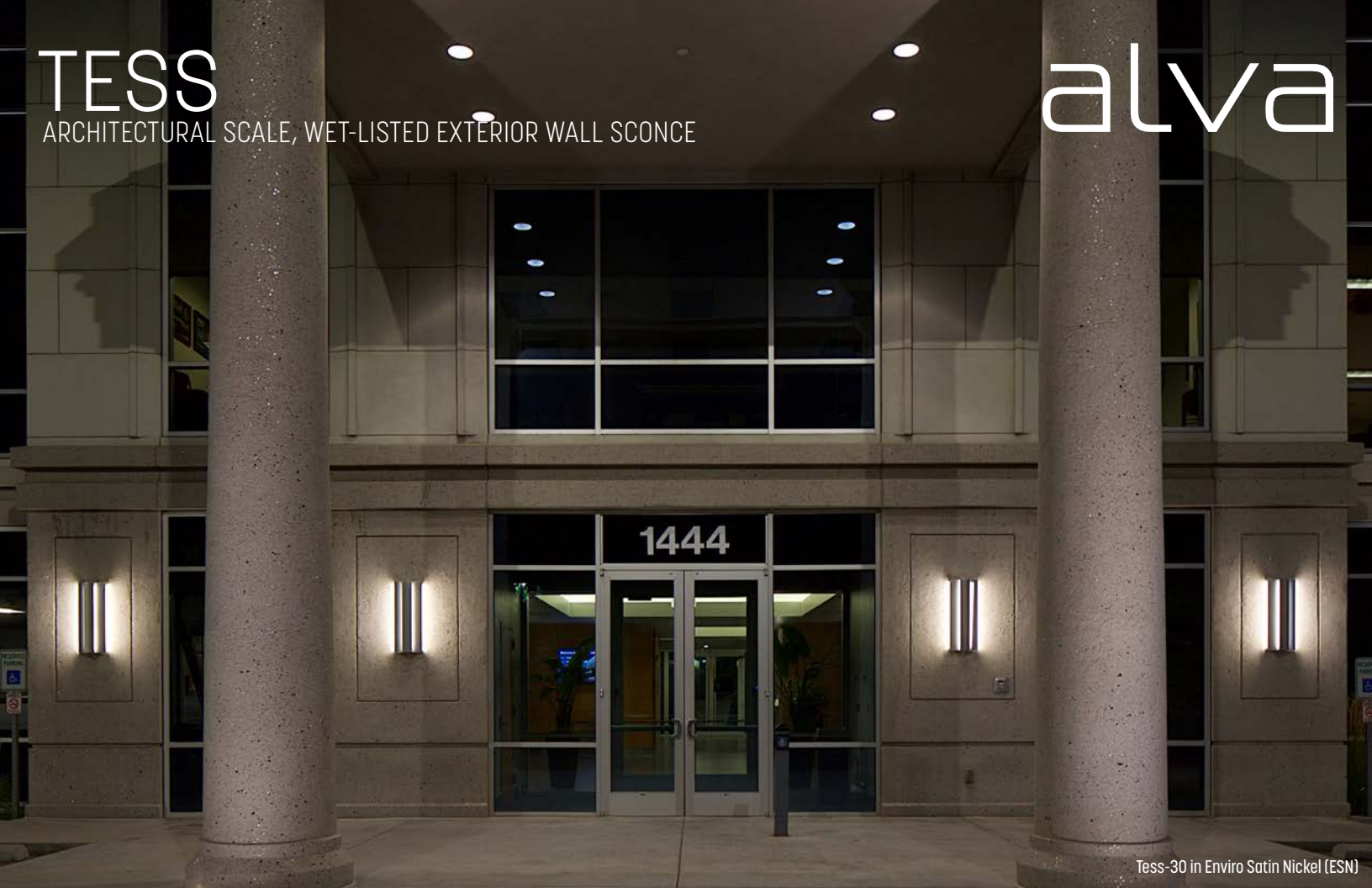


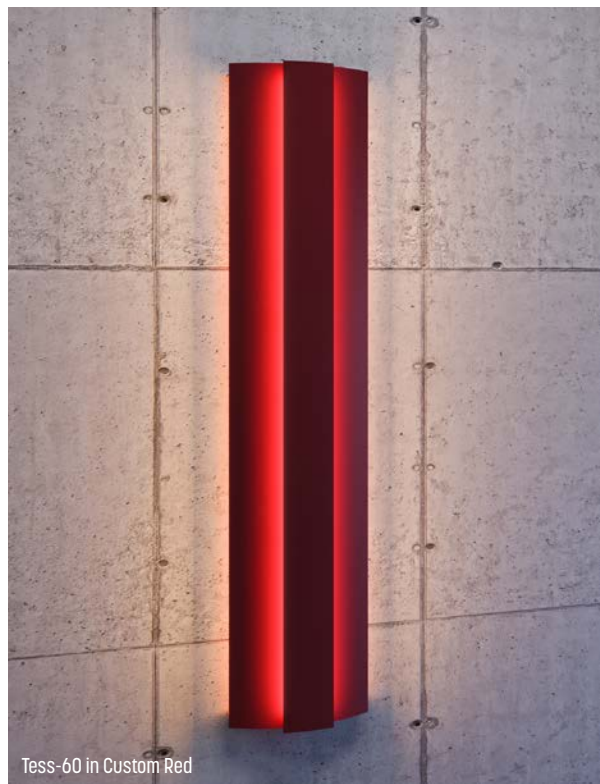
TESS

ARCHITECTURAL SCALE, WET-LISTED EXTERIOR WALL SCONCE

alva



Tess-30 in Enviro Satin Nickel (ESN)



Tess-60 in Custom Red



APPLICATIONS

Direct/indirect grazing luminaire for exterior/interior use: flanking doors, on columns, on building facades, between windows, and elevator lobbies. Suitable for marine environments.

SIZES

- 30" H x 12" W x 4" D, 18 lbs
- 45" H x 12" W x 4" D, 27 lbs
- 60" H x 12" W x 4" D, 36 lbs

MOUNTING

- J-Box 3.0 or 4.0 at center or end of fixture
- Steel mounting system with mounting plate and cover with rubber gaskets between the junction box and mounting plate
- Can be mounted vertically or horizontally

SPECIFICATIONS

- IP66 Rated May be Power Washed at High Pressure (100kPa at distance of 3m)
- 120-277V input
- Title 24 Compliant
- ADA Compliant
- 100,000+ hours rated life time
- 10 Year Limited Warranty (excludes shade)

LAMPING

- High efficiency, fully integrated proprietary LED module
- 80 CRI minimum, 85 CRI typical
- 3000K or 3500K standard
- Tess-30 23 watts, 729 delivered lumens
- Tess-45 29 watts, 957 delivered lumens
- Tess-60 37 watts, 1221 delivered lumens
- 0-10V Dimming (100-10%)

CONSTRUCTION

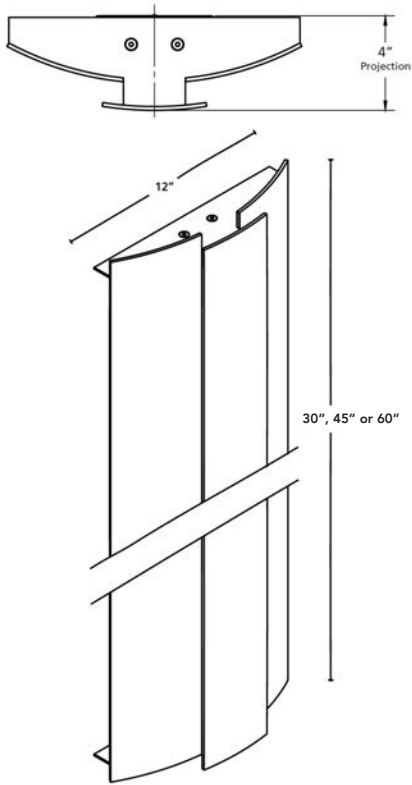
Fixture shell (shade): Heavy gauge aluminum with industrial powder coat finish and high impact acrylic

TESS

ARCHITECTURAL SCALE, WET-LISTED EXTERIOR WALL SCONCE

alva

DIMENSIONS



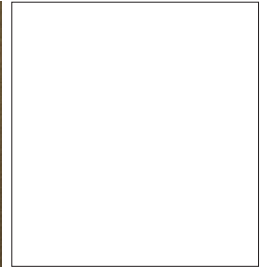
METAL POWDER COAT FINISH OPTIONS



ESN - Enviro Satin Nickel



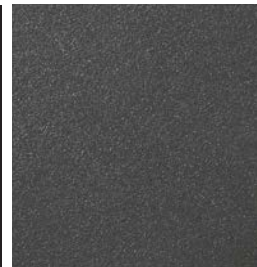
EOB - Enviro Oil-Rubbed Bronze



WHT - White



BLK - Black



GR - Graphite



DB - Dark Bronze



Tess-30 in Black (BLK)

alva

TESS

ARCHITECTURAL SCALE, WET-LISTED EXTERIOR WALL SCONCE

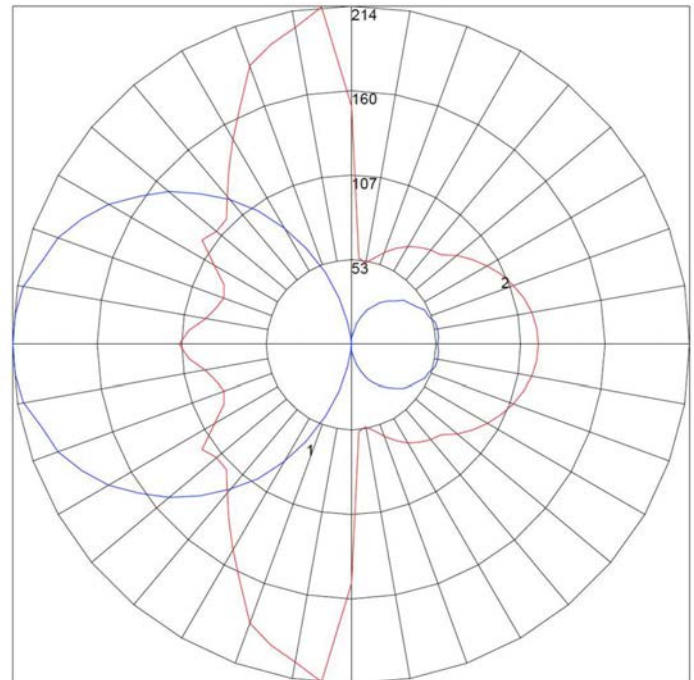
alva



Tess-30 (left) and Tess-60 (top) in Enviro Oil-Rubbed Bronze (EOB)

PHOTOMETRIC & ELECTRICAL TEST RESULTS (TESS-30)

- Total Lumens: 729.20
- Efficacy: 32.92
- Input Voltage (VAC/60Hz): 119.96
- Input Current (Amp): 0.1859
- Input Power (W): 22.15
- Input Power Factor: 0.9932
- Current ATHD (%): 8.7%



Maximum Candela = 213.55 Located At Horizontal Angle = 95, Vertical Angle = 90
 # 1 - Vertical Plane Through Horizontal Angles (95 - 275) (Through Max. Cd.)
 # 2 - Horizontal Cone Through Vertical Angle (90) (Through Max. Cd.)

ORDER CODE:

TESS			
MODEL	LENGTH	METAL TRIM	CCT
	30 30"	POWDER COAT FINISH OPTIONS	3000 3000K
	45 45"	ESN Enviro Satin Nickel	3500 3500K
	60 60"	EOB Enviro Oil-Rubbed Bronze	
		GR Graphite	
		DB Dark Bronze	
		WHT White	
		BLK Black	