

## Indirect Shade Series

### INSTALLATION GUIDE

#### Mounting Hardware Included:

Quantity of 1: 1/8 IPS Pipe  
 Quantity of 1: Lock-Up Cap  
 Quantity of 1: Mounting Crossbar

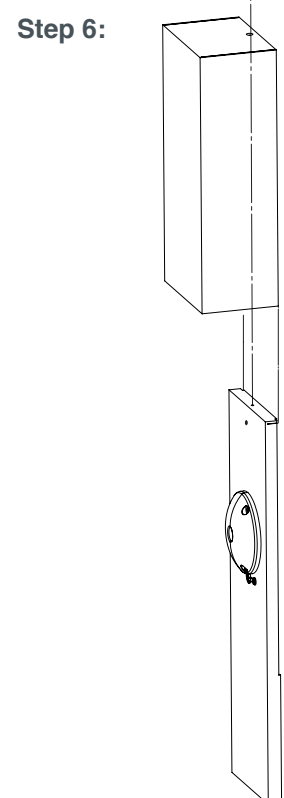
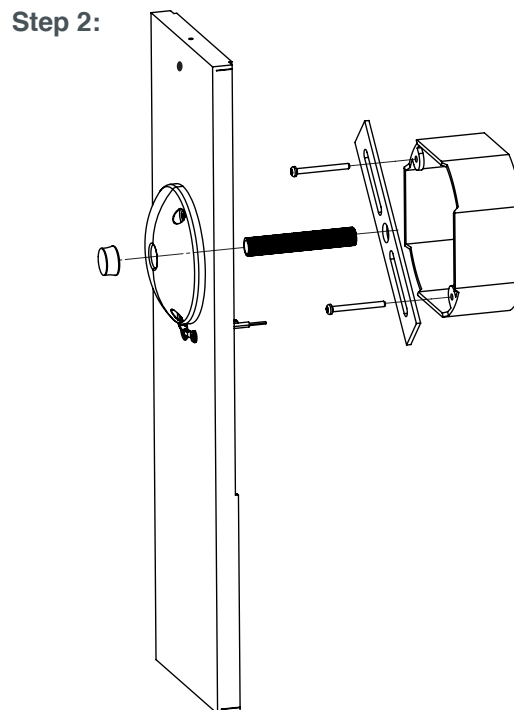
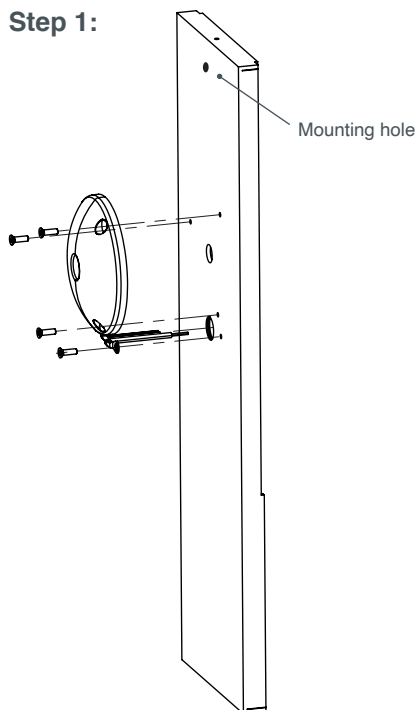
#### Fixture Components Included:

- Back Plate with thumb nuts
- Auberge LED module (packaged with mounting hardware and Energy Star WAGO/IDEAL connector)
- Decorative Lamp Shape

#### Installing your Auberge light fixture:

**CAUTION:** Be sure the power is turned off by either removing the fuse or closing the circuit breaker. Installation must be in compliance with National, State and Local electrical codes.

1. Remove Auberge LED module from ESD bag. Using screws provided, mount LED module to Auberge back plate.
2. Attach the crossbar to the junction box. Screw the 1/8 IPS pipe into the cross bar.
3. Connect the electrical wires from the junction box to the electrical wires of the LED module. For Energy Star compliance, utilize the WAGO/IDEAL male/female QuickConnect provided.
4. Place the LED light system (LED module with back plate) over the 1/8 IPS pipe from the universal mounting ring and carefully slide the fixture up snug to the junction box being careful to ensure the wires feed into the junction box. Screw on the lock-up cap to the 1/8 IP pipe.
5. You have the option to secure the back plate to the wall via a threaded or plastic anchor for additional support. Note hole location (marked Additional Anchor mounting location).
6. Mount decorative shade to the light module using hardware included. Shade slides down behind back plate and then secured to the back plate with the provided M3 screw.

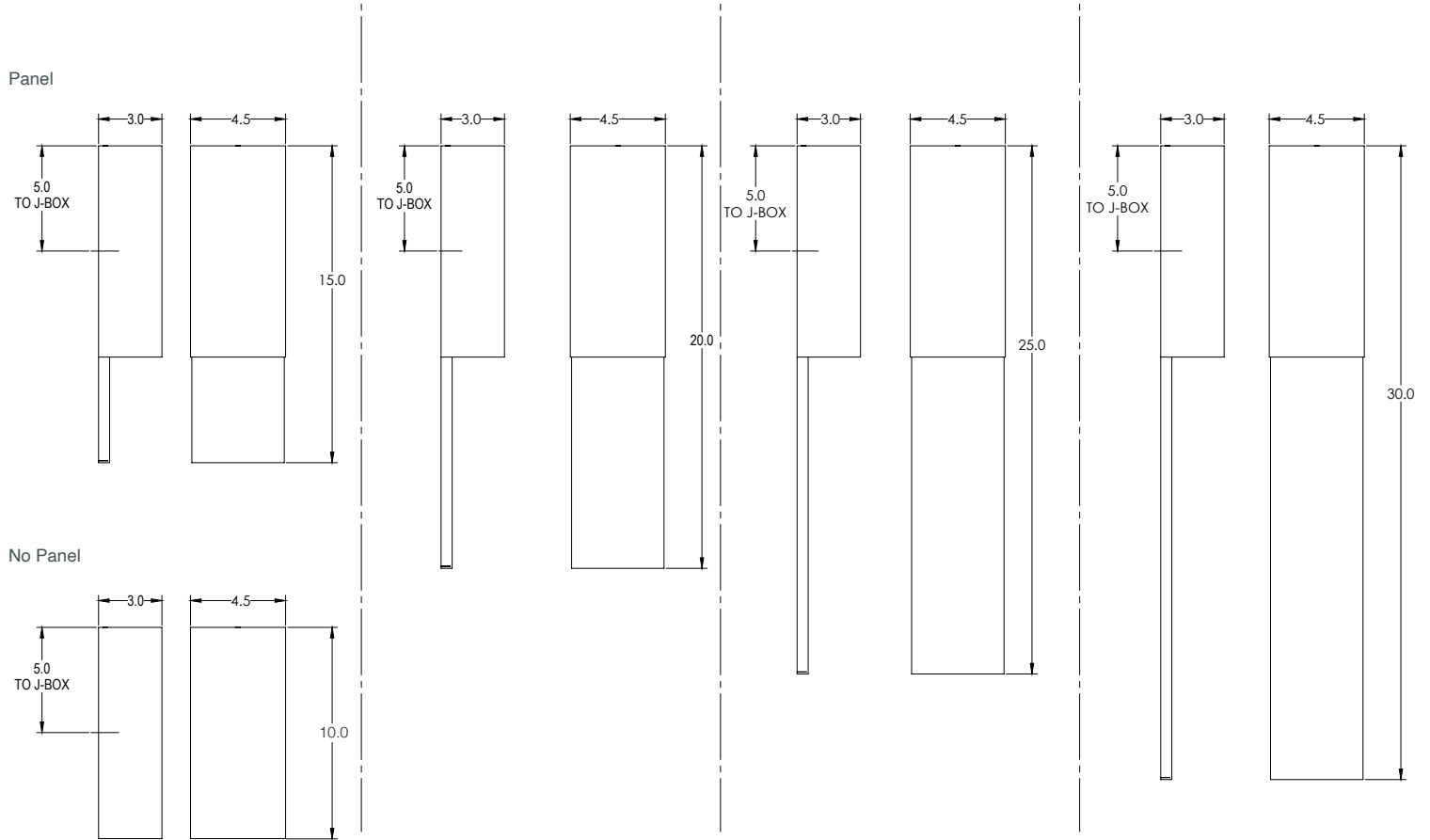


# Indirect Shade Series

## INSTALLATION GUIDE

alva

### Distance to J-Box:



### Dimming Options

All Auberger light fixtures using AU-R15W are TRIAC/ELV dimmable.

### Compatible Dimmers (TRIAC or ELV Dimmers)

Specifications subject to change without notice

#### Manufacture Model Type:

Lutron NTLV-600 TRIAC (Leading Edge)	Leviton R62-6674-P0W CFL / LED	Leviton 002-6633-PLW	Lutron S-603P TRIAC (Leading Edge)
Leviton IPL06-10Z TRIAC (Leading Edge)	Core SI061BR-PTA	TRIAC (Leading Edge)	Incandescent Analog
Lutron S-600 TRIAC (Leading Edge)	TRIAC (Leading Edge)	Incandescent Analog	Leviton DDE06-BLZ ELV (Trailing Edge)
Lutron LG-600P TRIAC (Leading Edge)	Incandescent Analog	Lutron SELV-303P ELV (Trailing Edge)	Leviton RDL06-10Z TRIAC (Leading Edge)
RH703PTC TRIAC (Leading Edge)	Leviton R70-6631-1LW TRIAC (Leading Edge)	Lutron D-600R TRIAC (Leading Edge)	Lutron CT-600P TRIAC (Leading Edge)
Incandescent Analog Legrand	Incandescent Analog	Incandescent Analog	Lutron DV-600P TRIAC (Leading Edge)