



Shown: Ili23 with Island Breeze Shade

APPLICATIONS

- Condominiums
- Retail
- Corporate
- Healthcare
- Education
- Hospitality

SIZES

- 24.5" L x 6.3" W x 4" D
- 35.5" L x 6.3" W x 4" D
- 47" L x 6.3" W x 4" D

WEIGHTS

- 24.5" L: 7 lbs
- 35.5" L: 10 lbs
- 47" L: 14 lbs

MOUNTING

- J-Box 3.0 or 4.0 at center or end of fixture
- May be mounted vertically, horizontally, or ceiling

Two Dimming Methods Included

- LUMENSELECT™ 4-level light output dial (100%, 75%, 50%, 25%)
- 0-10V Dimming (100-10%)



SPECIFICATIONS

- L90 - 100,000+ hours. 10 years / 24/7
- ETL Damp listed
- 120-277V input
- 10 Year Limited Warranty (excludes shade)
- Title 24 Compliant for Non-Residential Applications
- ADA Compliant

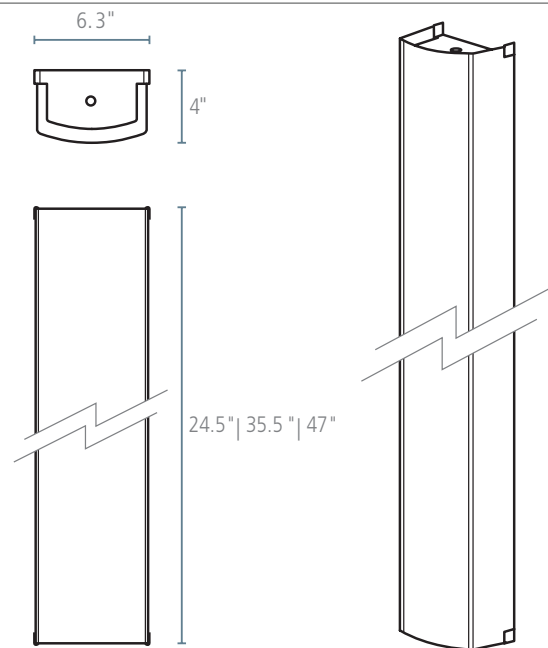
LAMPING

- ILIA-24: 25W
 - 1700 lumens delivered (with resin shade)
 - 2375 lumens delivered (with acrylic shade)
- ILIA-36: 38W
 - 2584 lumens delivered (with resin shade)
 - 3610 lumens delivered (with acrylic shade)
- ILIA-47: 50.5W
 - 3434 lumens delivered (with resin shade)
 - 4750 lumens delivered (with acrylic shade)
- CRI 80 min (85 typical). 90 CRI optional, contact ALVA.

CONSTRUCTION

- Resin: ARCHITECTURAL RESIN by ALVA
- Acrylic: White Opal matte finish
- Metal Finish: Brushed Nickel (Plated)

RESIN & ACRYLIC SHADE



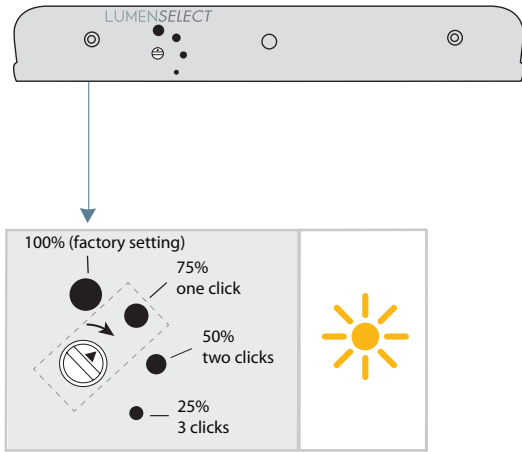
alva™

LED-BASED ARCHITECTURAL LIGHTING
918 PARKER STREET, SUITE A14, BERKELEY, CA 94710
P: 408.394.3054 WWW.ALVALIGHT.COM

LUMENSELECT™

LUMENSELECT™, a dimming control panel on all ALVA luminaires, allows you to customize light output to create the desired atmosphere and to limit the consumption of electricity.

LUMENSELECT™ control panel on the end cap of ALVA luminaires



The LUMENSELECT™ rotary switch should be turned gently clockwise with a small flathead screwdriver with a 1/8" or 3mm wide tip, one click at a time from factory setting to get desired output level.

SETTING LUMENSELECT™ LEVELS

ALVA luminaires come factory set at 100% light output. You may choose from four output settings, typically performed at the time of installation:

- 100% light output & energy consumption
- 75% light output & energy consumption
- 50% light output & energy consumption
- 25% light output & energy consumption

REMOTE DIMMING OPTION
0 - 10V (100 - 10%)



0-10V dimming may be used with compatible dimmer controls

Please refer to ALVALIGHT.COM for a listing of compatible dimmers

ILIA™ SHADE OPTIONS

RESIN:



ACRYLIC:



METAL TRIM:

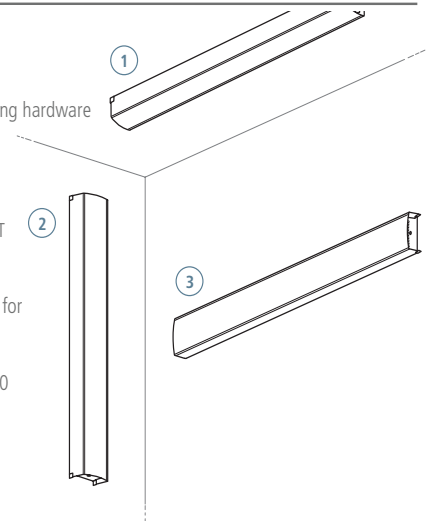


ILIA MOUNTING OPTIONS

- 1 CEILING MOUNT
– Use appropriate mounting hardware
- 2 VERTICAL WALL MOUNT
- 3 HORIZONTAL WALL MOUNT

Customer should determine the appropriate anchoring hardware for their specific needs.

ALVA recommends the use of #10 mounting hardware.



ILIA ORDER CODE

ILIA	LENGTH	SHADE MATERIAL	SHADE PATTERN	METAL TRIM	CCT
Ilia	24 - 24.5" 35 - 35.5" 47 - 47"	R - Resin	B - Burano GS - Gold Shimmer IB - Island Breeze A - Autumn R - Rain LC - Linear Cross	N - Brushed Nickel (Plated)	2700 - 2700K 3000 - 3000K 3500 - 3500K 4000 - 4000K
		A - Acrylic	WO - White Opal		